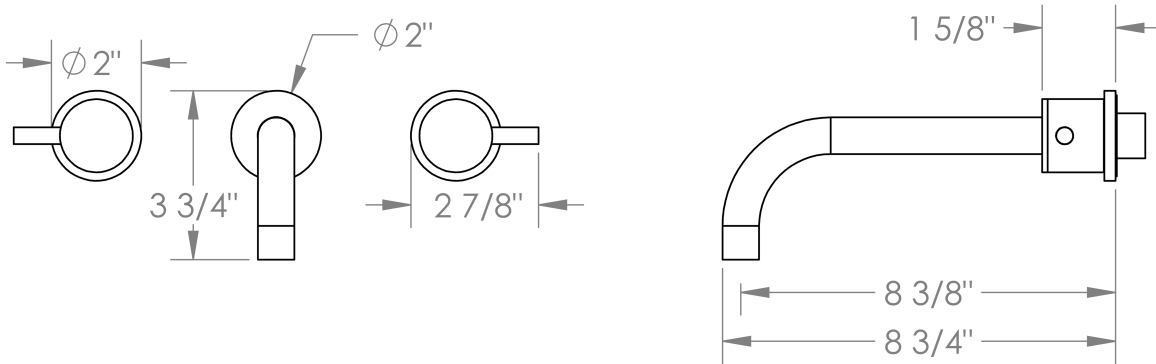
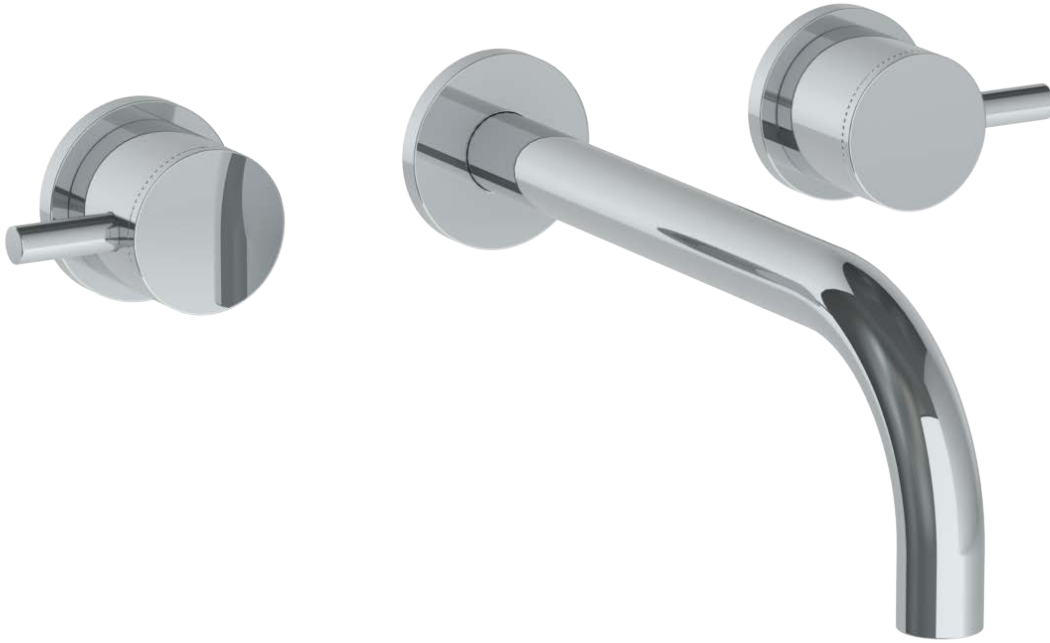


22-2.2M-TIB

Wall Mounted Widespread Lavatory
Requires SS-THV2.2 Concealed Rough
Flow Rate: 1.2 GPM



Meets the applicable requirements of ASME A112.18.1-2005/CSA B125.1-05, entitled "Plumbing Supply Fittings"