



California Faucets®

Salinas™

WALL LAVATORY

CF-TO-V6102-7/9

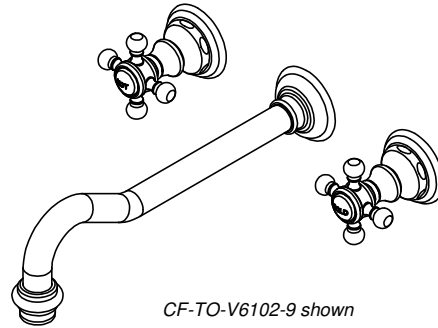
Features

- 1.2 gpm (4.5 L/min) max flow rate
- Rough valve (CF-VL-R) sold separately
- Solid brass construction
- Over 30 finishes including 15 PVD finishes

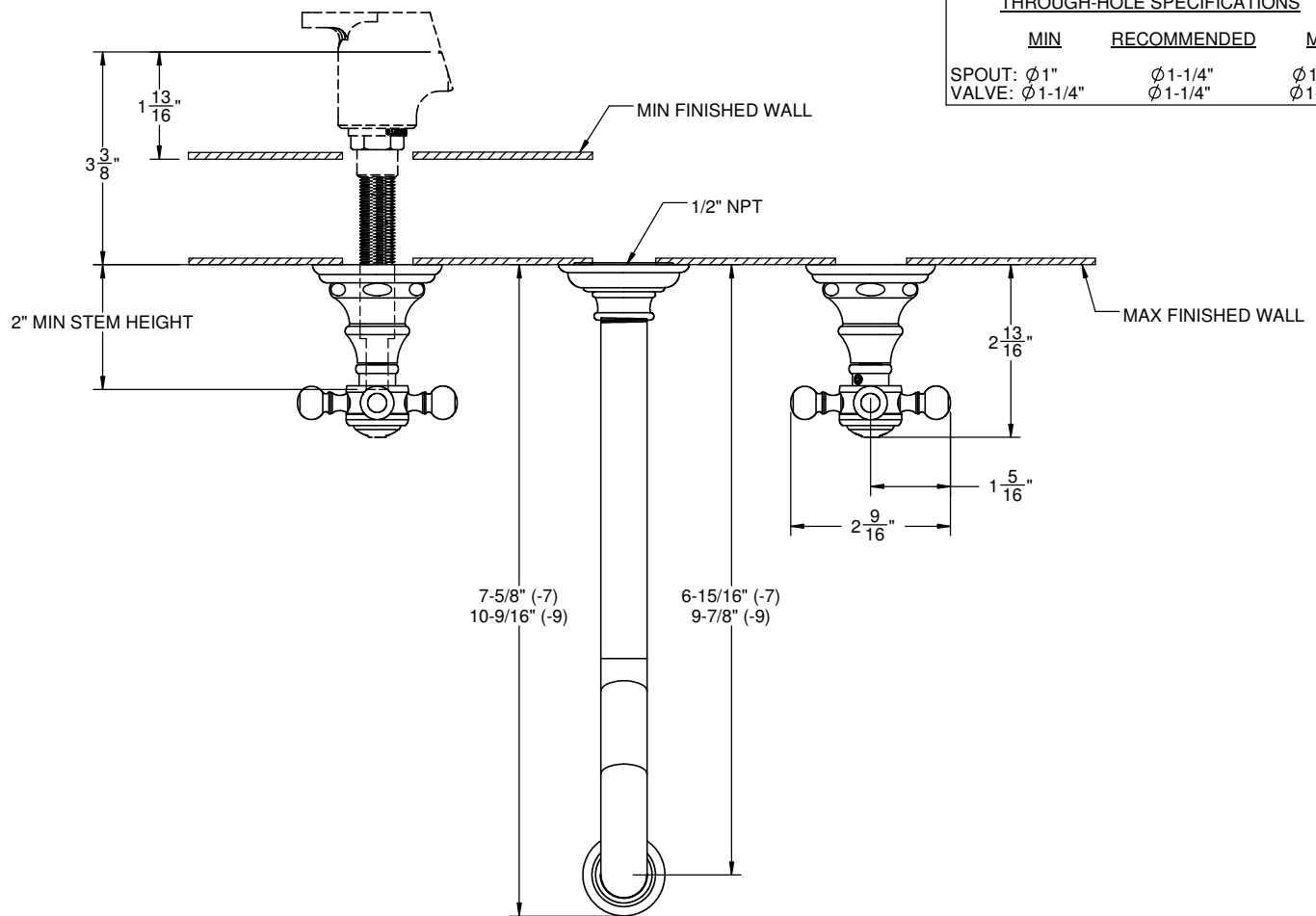
Codes/Standards

Product meets or exceeds the following:

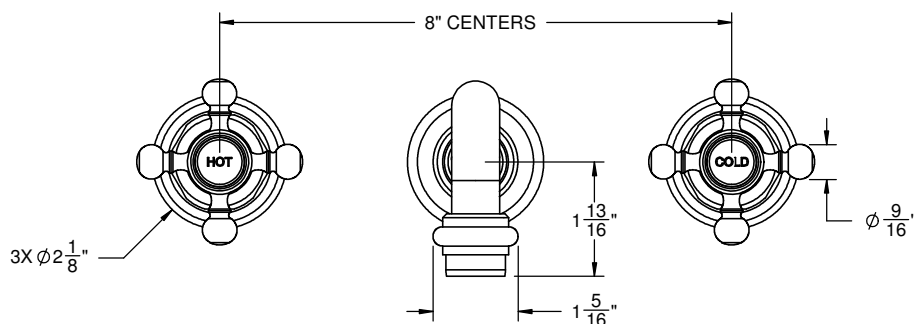
- ASME A112.18.1/CSA B125.1
- NSF/ANSI 61 & NSF/ANSI 372
- CEC



CF-TO-V6102-9 shown



THROUGH-HOLE SPECIFICATIONS		
MIN	RECOMMENDED	MAX
SPOUT: Ø 1"	Ø 1-1/4"	Ø 1-3/8"
VALVE: Ø 1-1/4"	Ø 1-1/4"	Ø 1-9/16"



ALL DIMENSIONS SHOWN TO NEAREST 1/16"