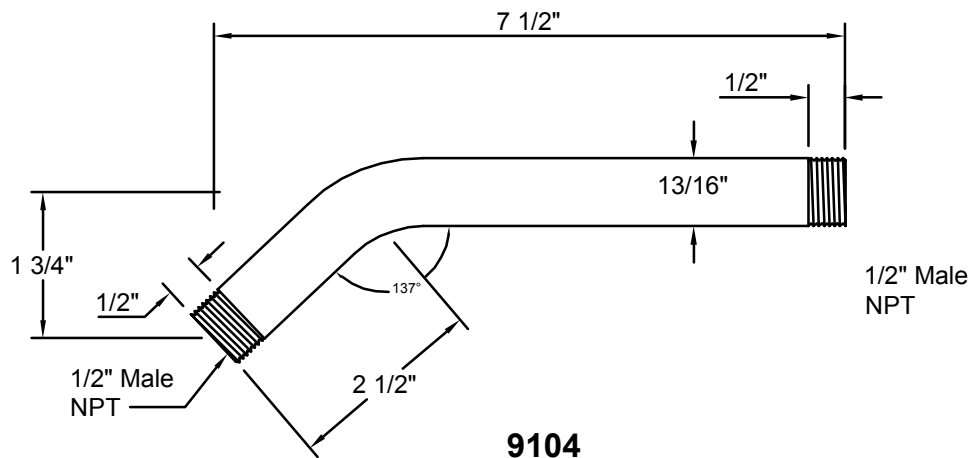


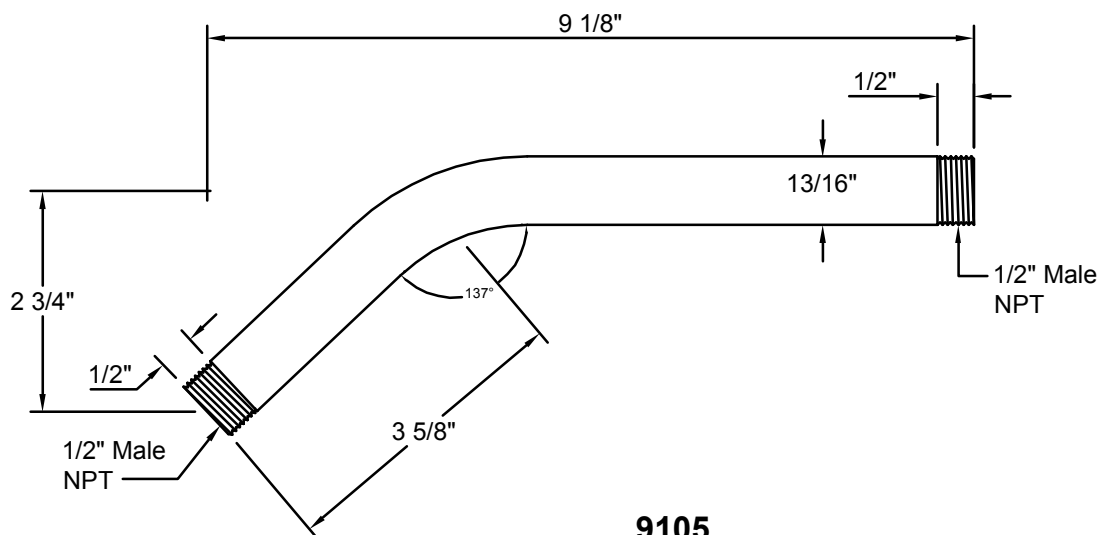
**9103**

**Fig. 1**



**9104**

**Fig. 2**



**9105**

**Fig. 3**



A Division of  
California Faucets

Decorative Trim for Bath & Kitchen  
info@calfaucets.com  
www.calfaucets.com

5231 Argosy Drive  
Huntington Beach, CA 92649

Tel: 714-891-7797  
Fax: 714-891-2478  
Toll Free: 800-822-8855

Fixture:

**Shower Arms**

Revision date: August 25, 2003

Date:

Scale: None

Drawn by: William Linares  
william@calfaucets.com

Technical Supervisor: Joe Mainberger