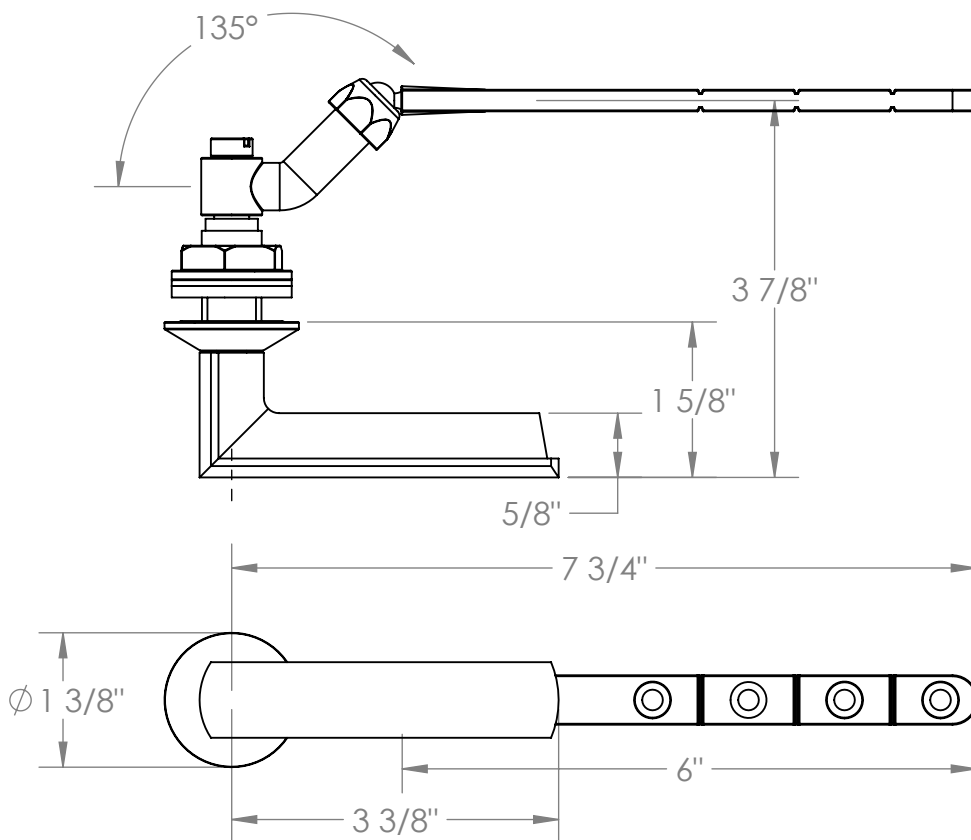


## 64-0.11-BR4

### Tank Lever

Note: Watermark cannot guarantee fit with any specific tank. Please check dimensions for compatibility



Meets the applicable requirements of ASME A112.18.1-2005/CSA B125.1-05, entitled "Plumbing Supply Fittings"