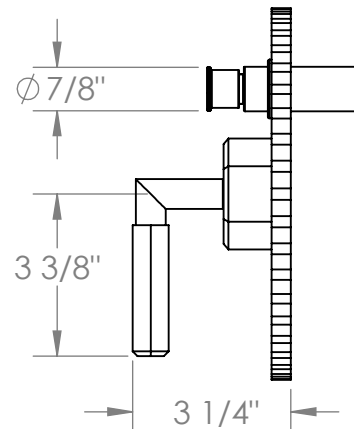
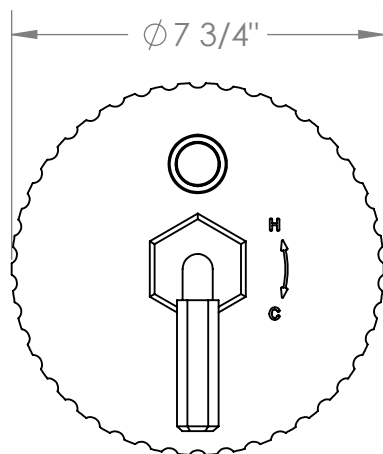
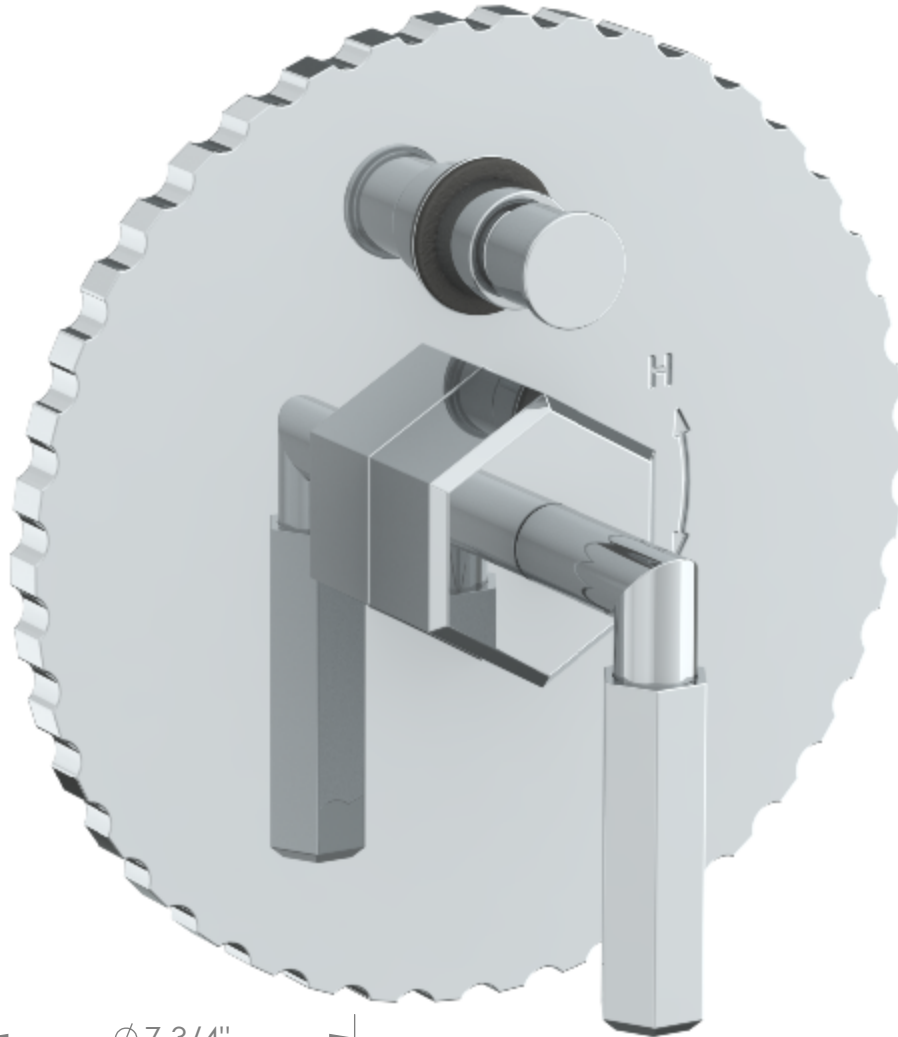


133-P90-JA4

Wall Mount Pressure Balance Shower Trim with Diverter
For use with SS-PB85 pressure balance valve with diverter



Meets the applicable requirements of ASME A12.18.1-2005/CSA B125.1-05, entitled "Plumbing Supply Fittings"