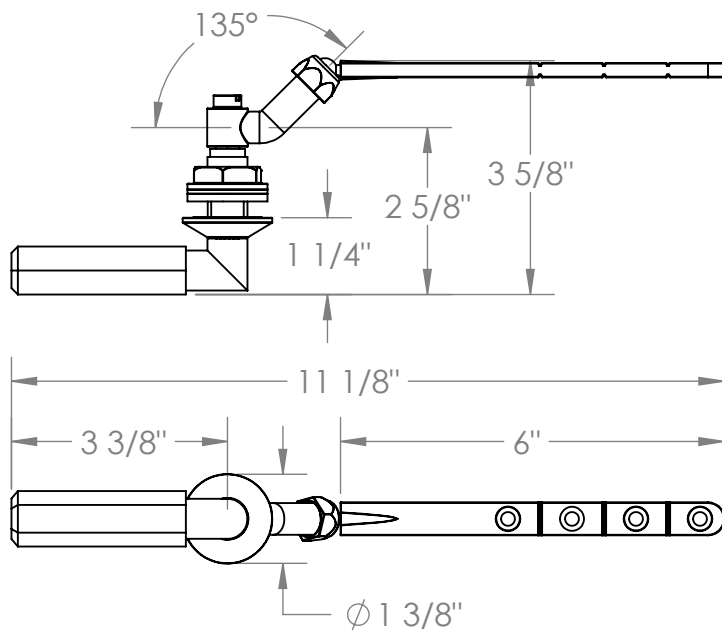
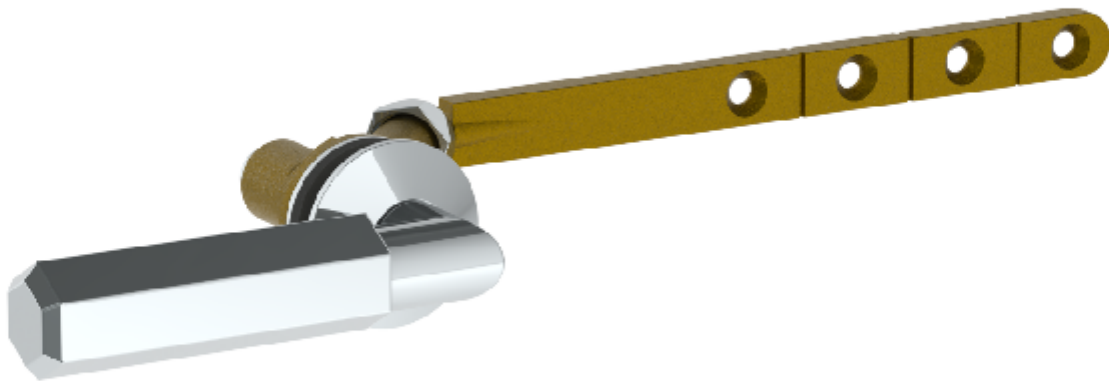


133-0.11-JA4

Tank Lever

Front, Side or Angle Mount

Note: Watermark can not guarantee fit with any specific tank. Please check dimensions for compatability



Meets the applicable requirements of ASME A112.18.1-2005/CSA B125.1-05, entitled "Plumbing Supply Fittings"

WATERMARK DESIGNS 7/28/2020

350 Dewitt Ave Brooklyn NY 11207 USA T 718 257 2800 F 718 257 2144 info@watermark-designs.com