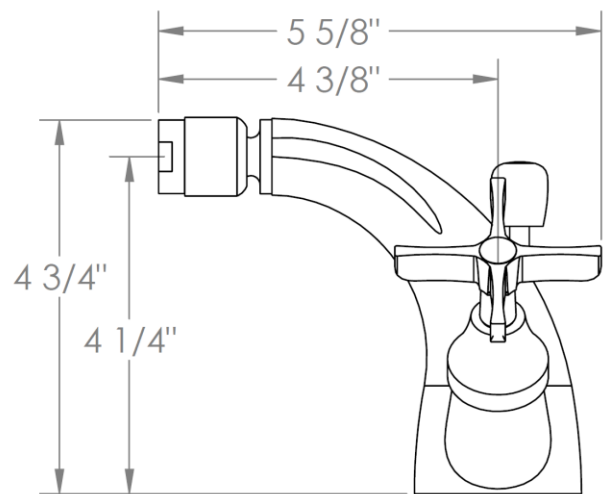
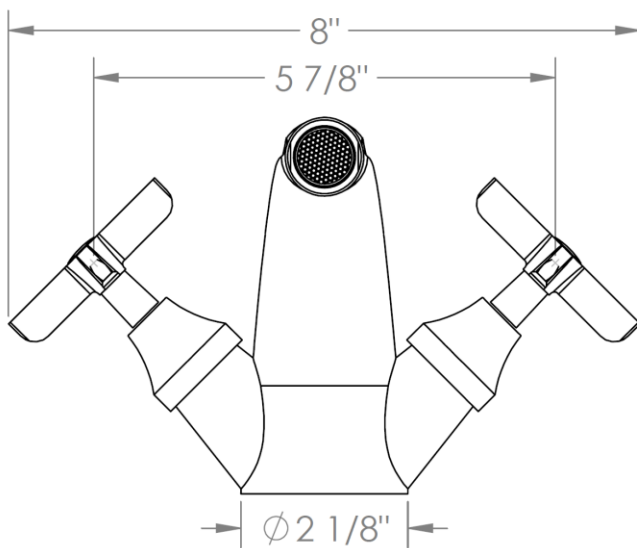


115-4.1-__

Deck Mounted Bidet Monoblock

Includes MPU7 pop-up drain

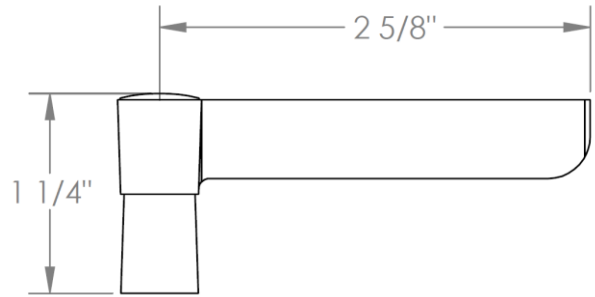
Note: Some building codes may require remote backflow preventers installed in the supply lines



Meets the applicable requirements of ASME A112.18.1-2005/CSA B125.1-05, entitled "Plumbing Supply Fittings"

HANDLE TRIM OPTIONS

MZ4 - STANDARD



MZ5 - WHITNEY

