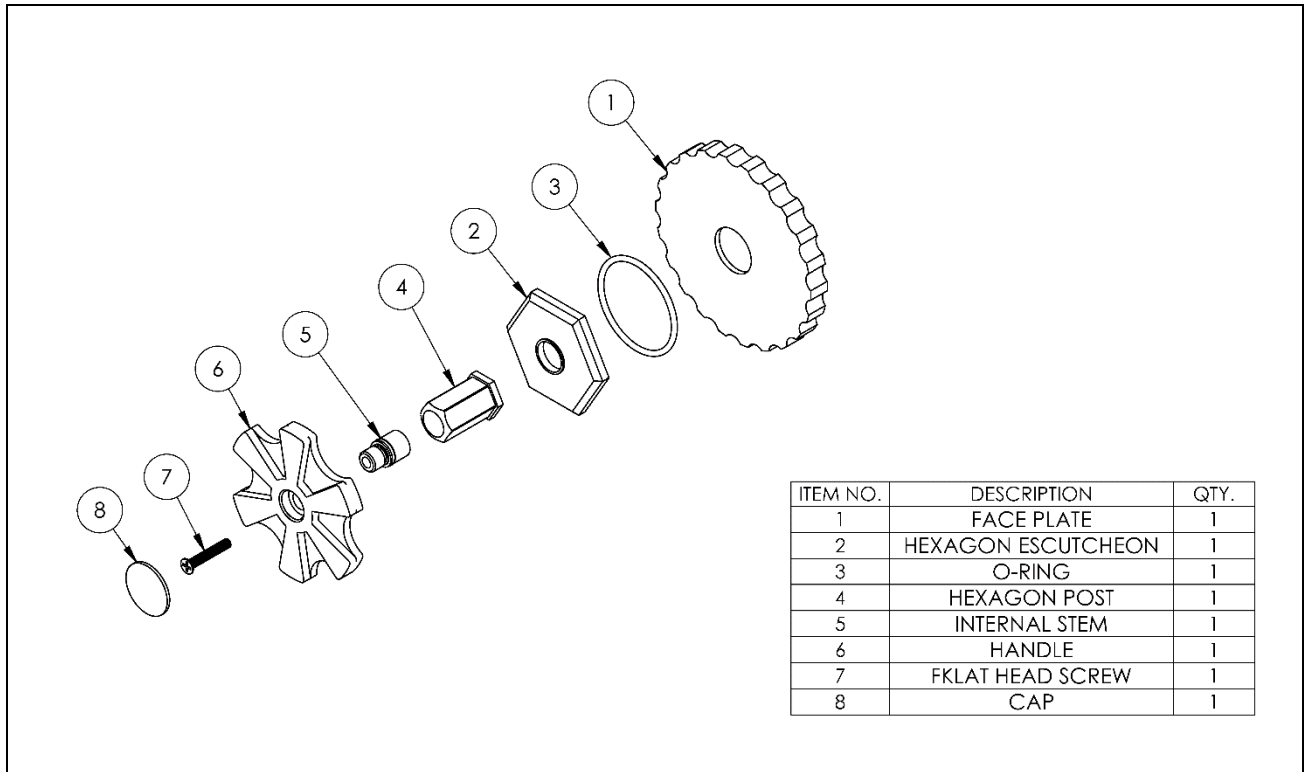
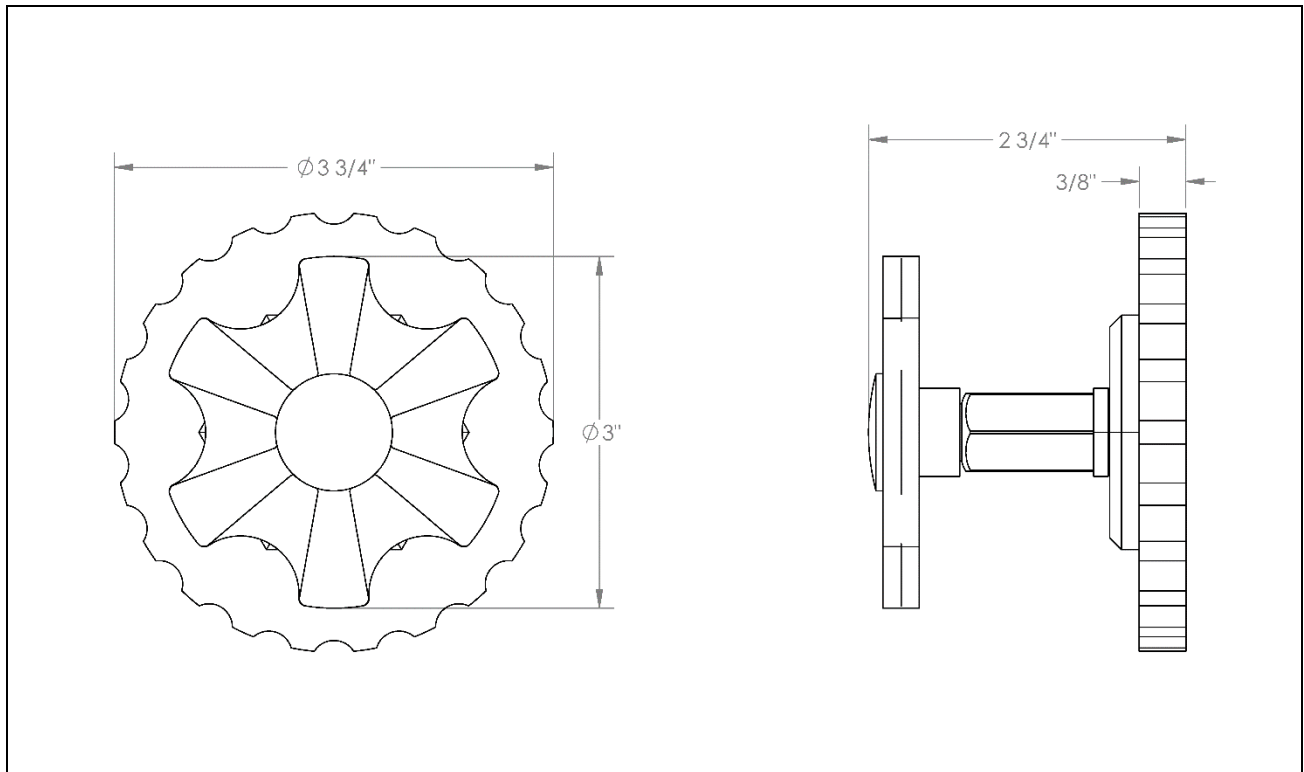


Exploded View



Dimensions



Installation Instructions

1. Ensure that the required valve is installed correctly such that the finished wall lies between the MIN and MAX lines. An extension kit may be required if the valve is too deep behind the wall.
2. Slide the **face plate** (1) and **hexagon escutcheon** (2) with **O-ring** (3) over the valve stem and all-thread with the weep hole facing down. Hold them in place for step 3.
3. Thread the **hexagon post** (4) onto the all-thread, securing both the escutcheon and plate to the wall.
4. Insert the **internal stem** (5) into the hexagon post then install the **handle** (6), tightening the complete handle assembly to the valve with the **flat head screw** (7). The **internal stem** (5) has an embedded O-ring; do not remove.
If the handle is binding, the valve stem is too short, and an extension kit is needed.
If there is too much exposed brass stem, then the valve stem will need to be cut. Do not cut the internal stem.
5. Insert the **cap** (8) onto the **handle** (6).

IMPORTANT INSTALLATION INFORMATION

- Do NOT use Plumber's Putty on any of the brass components.
This will cause the finish to tarnish and void the warranty. A non-corrosive alkoxy silicone is recommended.
- Refer to maintenance guide for finish care instructions.

For technical support, please call 718-257-2800