

## LF Single-Handle Faucet – Vessel

### FEATURES

- WaterSense® certified low-flow 1.2 gpm faucet
- Ceramic cartridge for long-lasting durability
- Brass construction
- Lever handle
- Metal pop-up drain assembly included

### COLORS/FINISHES

- #CP Polished Chrome

### OPTIONAL ACCESSORIES

- THP3158#\$\$ – 4" Cover Plate
- THP3159#\$\$ – 8" Cover Plate

### PRODUCT SPECIFICATION

Product shall have a maximum flow rate of 1.2 gpm (4.5 lpm). Product shall have a brass construction. Product shall have a lever handle. Product shall have a ceramic disk valve cartridges. Product shall include metal pop-up drain assembly. Product shall be TOTO Model TLS04306U#\_\_\_\_\_.

### CODES/STANDARDS

- Meets or exceeds ASME A112.18.1/CSA B125.1, NSF 61-9, NSF 372
- Certifications: IAPMO(cUPC), EPA WaterSense, State of Massachusetts and others
- Code Compliance: UPC, IPC, NSPC, CEC, DoE, NPC Canada, and others
- California Green Building Code, City of Los Angeles Water Efficiency Ordinance
- Complies with federal and state requirements as lead-free (weighted average of 0.25% lead or less)
- ADA compliant
- Complies with CA Prop 65 warning requirements



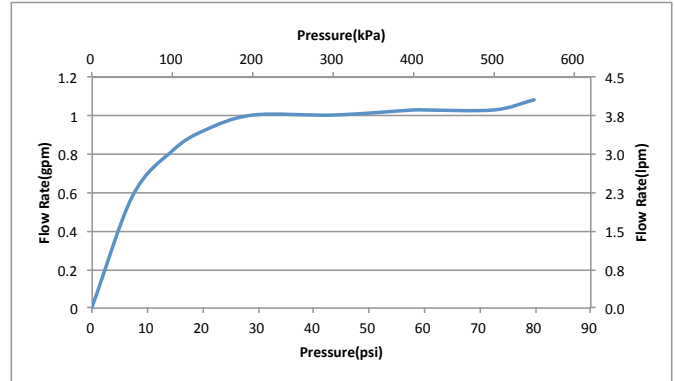
# TLS04306U

## LF Single-Handle Faucet – Vessel

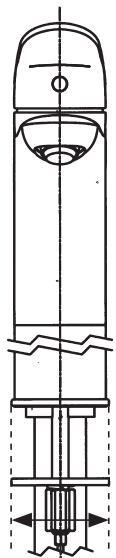
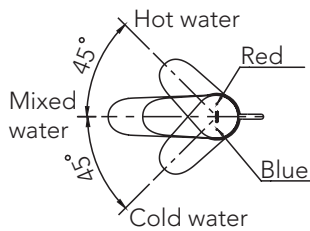
### SPECIFICATIONS

<b>Material</b>	Brass
<b>Maximum Flow Rate</b>	1.2 gpm (4.5 lpm)
<b>Warranty</b>	Lifetime Limited Warranty (Residential Use) One Year (Commercial Use)
<b>Shipping Dimensions</b>	23-3/4" x 10-3/4" x 3-1/2"
<b>Shipping Weight</b>	7.5 lbs

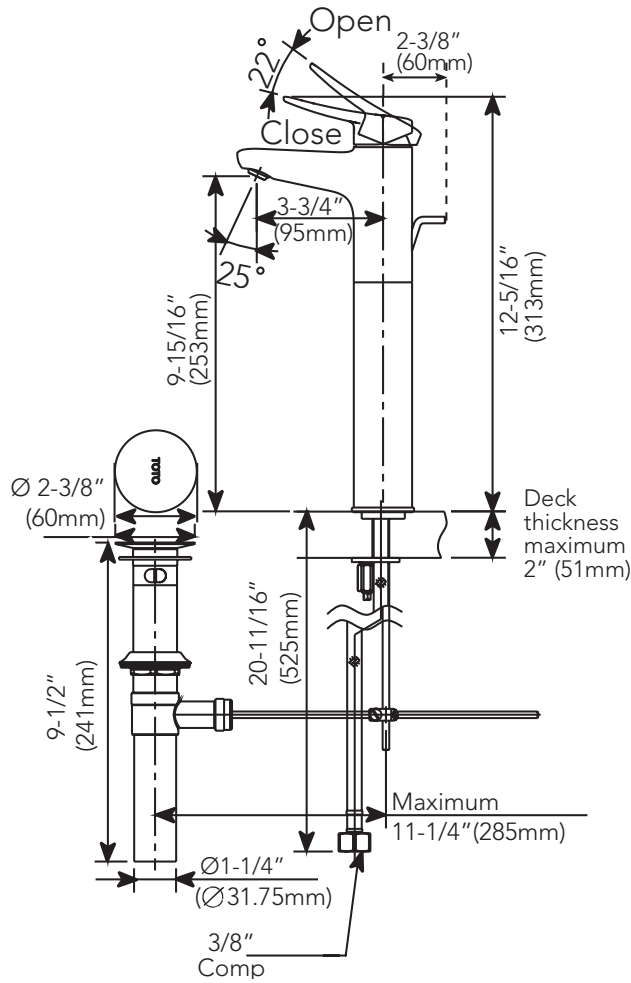
### INSTALLATION NOTES



### DIMENSIONS



Mounting hole  
1-5/16" ~  
1-7/16"  
(33mm-37mm)



**TOTO**

These dimensions and specifications are subject to change without notice