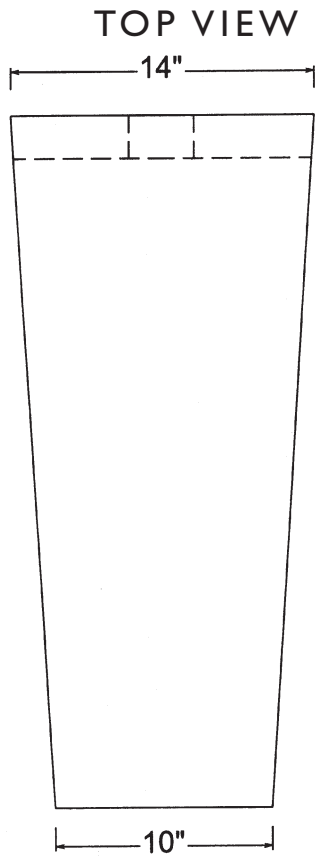
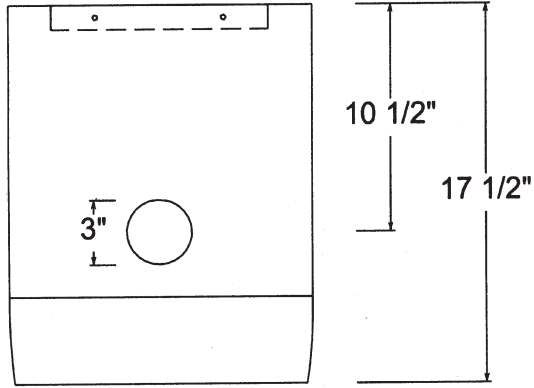




PS20
WAVE PEDESTAL

© 2007 STONE FOREST, INC.



Available in:

Carrara marble (CA)

Honed basalt (HB)

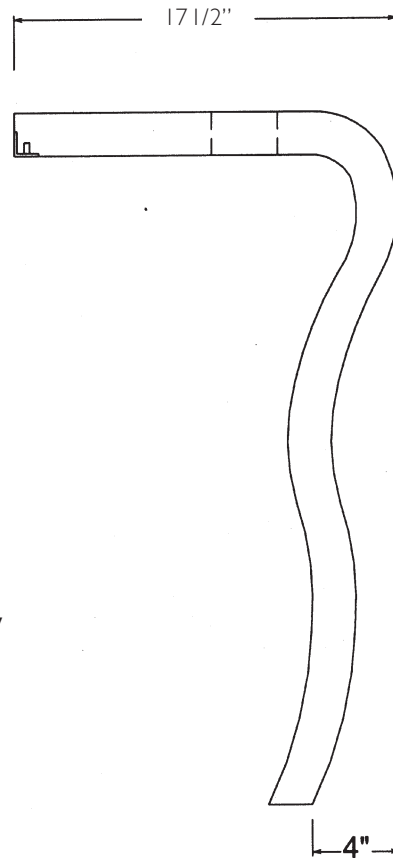
Papiro Cream marble (PA)

Can be used with any vessel sink

Mounting bracket included, see next page for installation diagram

We recommend the use of 910VC drain lock with this pedestal.

Approx 150 lbs



SIDE VIEW

STONE
FOREST