 Aerator**2TGNW****REMOVAL OF FIXTURE:**

Always turn the water supply off before removing the existing fixture or disassembling a valve. Open all fixture handles to relieve water pressure and to ensure that the water has been successfully turned off.

CARE OF FIXTURE:

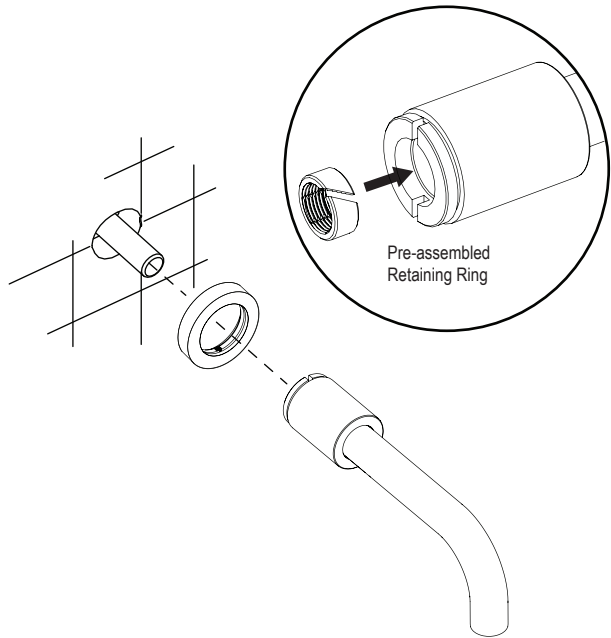
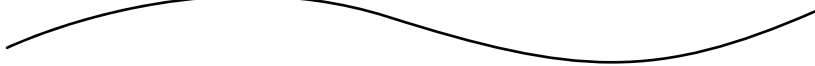
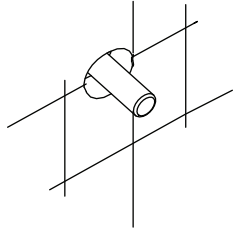
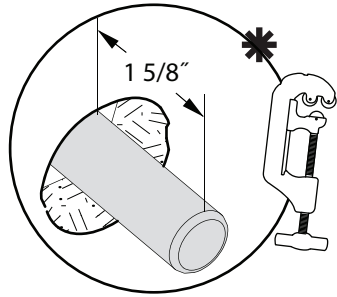
The use of warm water and a soft cloth is all that is required to clean Rubinet products. The patina of our living finishes (Oil Rubbed Bronze & Tuscan Brass) will change as a result of normal use. Applying Mineral Oil on occasion will create a softer look, subtle color changes and character.

CONTACT US:

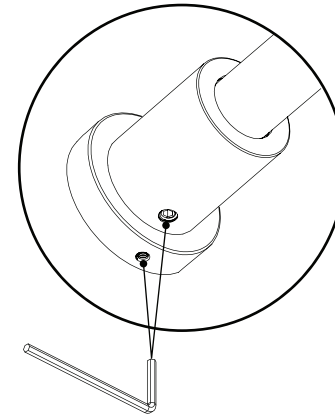
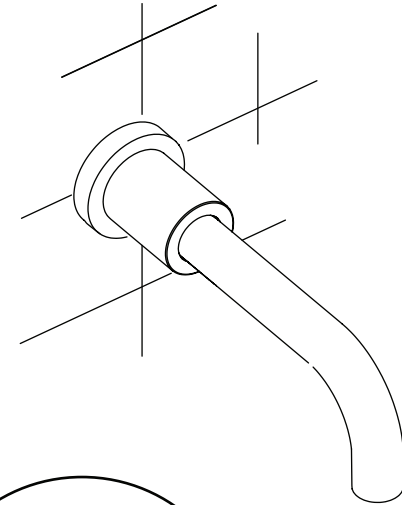
If you need assistance with installation, replacement parts or have any questions regarding your Rubinet product, please call a Customer Service representative at: 905-851-6781 toll free 1-800-461-5901 or visit www.rubinet.com

1

* Cut the Copper Pipe 1 5/8" long from the finished wall and **MUST REMOVE ANY BURRS** before installing the Wall Spout.



2



Secure Spout