

Viele 6028 (left hand drain)

Series : **Alcove**

Nominal dimensions: **60" x 28" x 21" [152.4 cm x 71.1 cm x 53.3 cm]**

Seats : **1**

Product code: **VI6028L**

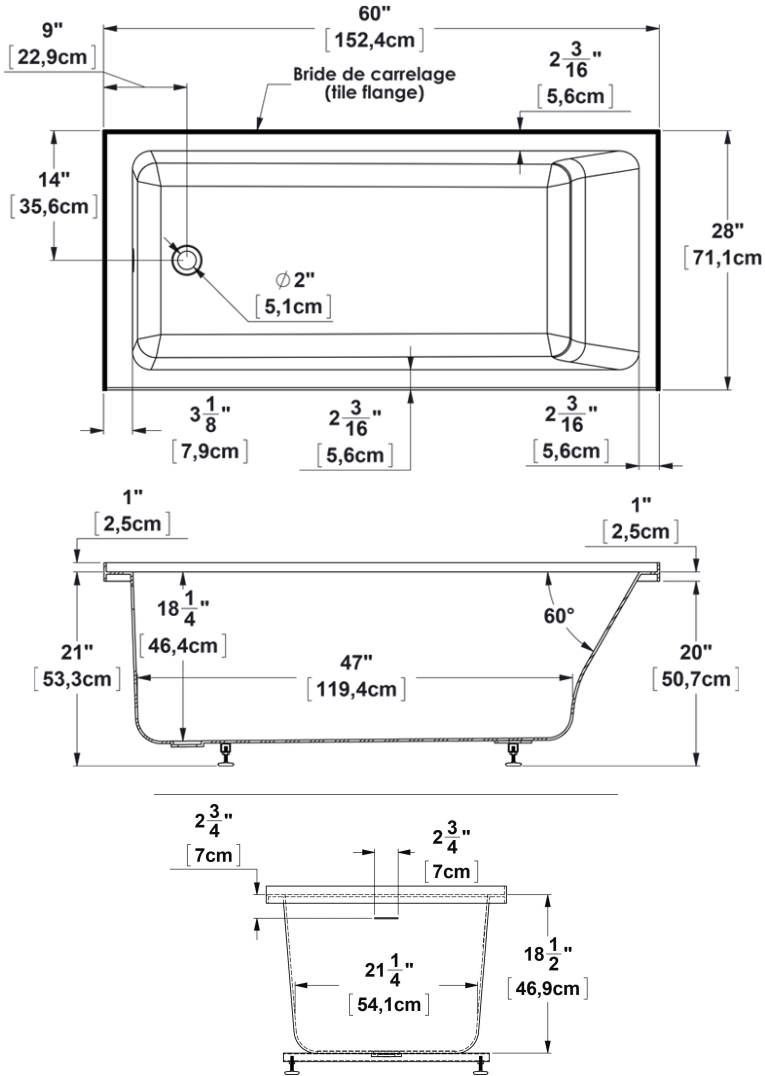
Draft revision : **2023061514395**

Lumbar support : **yes**

Arm rests : **no**

Low-profile available : **no**

Draft and specs

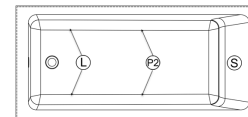


Specifications
Capacity: 58 IMP Gal. / 75.6 US Gal. / 263.6 liters
AeroMassage™: 34 Easy Clean™ air jets
Super AeroMassage™: unavailable
Comfort Air™: unavailable
Characteristics: Integrated tile flanges on 3 sides

Remarks
All measures have a precision of ± 1/4" (0,63cm)
If a measure is present on one side only, part is symmetrical
*internal dimensions taken at 4" (10cm) from bath bottom
*capacity is measured by filling the bath to 1-1/2" under the overflow

Available models
Soaker <input checked="" type="checkbox"/>
Comfort Air™ <input type="checkbox"/>
AeroMassage™ <input checked="" type="checkbox"/>
Super AeroMassage™ <input type="checkbox"/>

Available recommended options
Front skirt: JA60
Recommended drain: Included (Matte White finish)
Tile flanges: integrated
Floating remote control: included if ordered with system
Linear overflow: Integrated



Additional(s) note(s)

Integrated acrylic tile flanges. If system, delivered with keypad not installed and remote control is included. The overflow is factory installed, the drain is included but not installed.

Legend	
(S) Blower	(L) Chromotherapy light
(P2) Grab bar	(C) Keypad
Recommended faucets drilling location*	Deck cut-out line - - - - -

**It is possible to install the faucets elsewhere on the product. The installer must verify that there are no piping or wires before drilling.*

IMPORTANT NOTE: Specifications, dimensions and models are subject to change.

Visit our website <http://www.oceania-attitude.com> to access up-to-date dimensions and information. In all cases, information on the website is the most up-to-date.

Head office

591, avenue des Entreprises
Theftord Mines, Quebec
CANADA G6H 4B2

Contact numbers

Phone : 1-877-332-4224
Fax : 1-866-460-4334

Internet

Web : <http://www.oceania-attitude.com>
Email : info@bainsoceania.com