

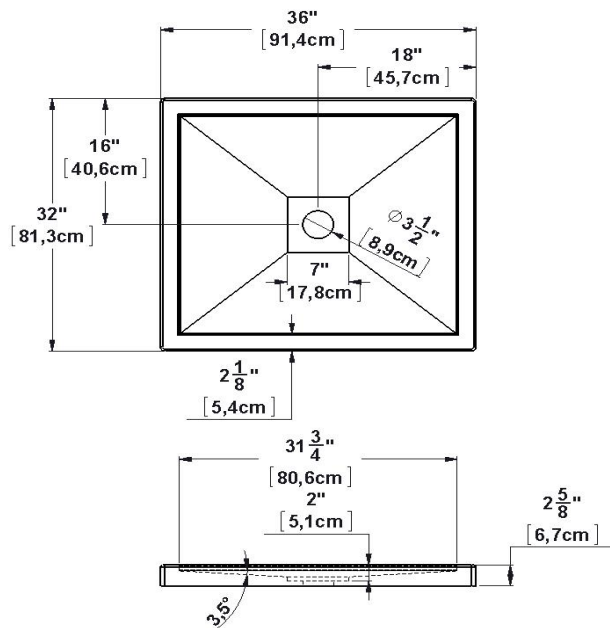
Base 36x32 square drain cover Product code : **SB3632**

Draft revision : 20140710150000

External dimensions : **36" x 32" x 2,625" [91,4 cm x 81,3 cm x 6,7 cm]**

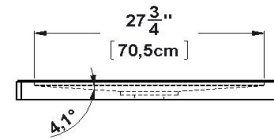
Material : **acrylic**

Draft and specs



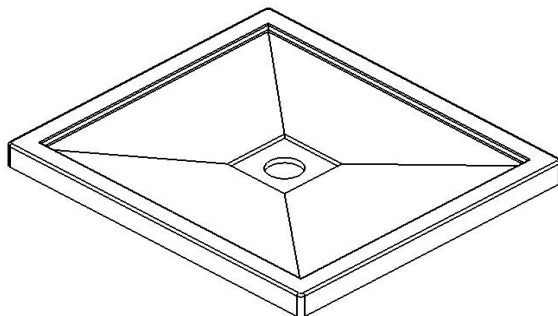
Specifications
Textured floor : no
Footrest : no
Characteristics :

Remarks
*all measures have a precision of $\pm 1/4"$ (0,63cm)
*if a measure is present on one side only, part is symmetrical



*slope at the floor of the shower may not be represented

Options and installation



Available options
shower hood : <i>n/a</i>
shower door : PB136 PB23632

Additional note(s) :

Integrated tile flanges not shown. To be specified when ordering. Aluminium tile flanges can be supplied as an option.

IMPORTANT NOTE :
 Specifications, dimensions and models are subject to change.
 Visit our website <http://www.oceania-attitude.com> to access up-to-date dimensions and informations. In all cases, information on the website is the most up-to-date.

*default hardware and decorative lines positions are approximatives