

**Tub or Shower Trim
(less tub spout, showerhead, arm & flange)
4-2914BP
Also 3-561**

Features

- Solid brass construction
- Face plate with ADA compliant traditional lever handle
- ADA compliant traditional lever handle assembly for control valve
- Intended for use with Newport Brass rough valve(s) as specified (Required Accessory)

Codes / Standards Compliance

Meets or exceeds the following at date of manufacture:

- ASME A112.18.1/CSA B125.1
- IAPMO/cUPC
- IPC
- ADA
- ICC/ANSI A117.1
- ASSE 1016
- All applicable US Federal and State material regulations

Colors / Finishes

- 10B: Oil Rubbed Bronze
- 15: Polished Nickel
- 15S: Satin Nickel - PVD
- 26: Polished Chrome
- Other: Refer to the Newport Brass catalog for additional color/finish options.



3-561

Specified Model

Model	Description	Colors Finishes				
4-2914BP	Shower Trim	<input type="checkbox"/> 10B	<input type="checkbox"/> 15	<input type="checkbox"/> 15S	<input type="checkbox"/> 26	<input type="checkbox"/> Other
3-561	Diverter/Flow Control Trim	<input type="checkbox"/> 10B	<input type="checkbox"/> 15	<input type="checkbox"/> 15S	<input type="checkbox"/> 26	<input type="checkbox"/> Other

Required Accessory

Application	Shower (or Tub) Valve (Choose One)		Control Valve (Optional)
	Balance Pressure (BP)	Balance Pressure (BP)	Diverter (3/4 Port)
Description			
Inlet/Outlet Size	1/2"	1/2"	1/2"
Part Number	1-594	1-684	1-617
Image			

Product Specification Add "Color / Finish" suffix to Model number, below.

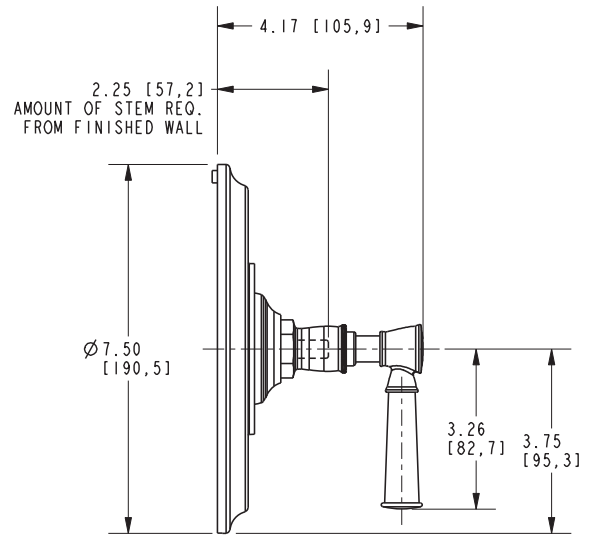
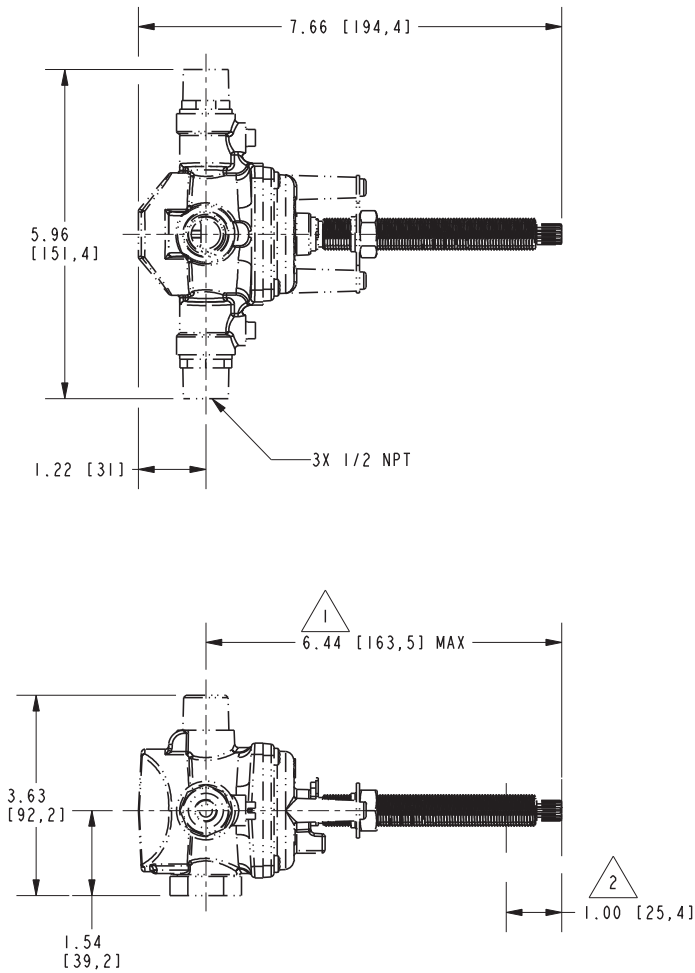
The single-control Tub or Shower Trim (less tub spout or showerhead, arm & flange) shall be made of solid brass construction. Tub or Shower Trim shall include faceplate with ADA compliant handle. Shower System Control Valve Trim(s) (Escutcheon/Handle) shall be ADA compliant when used with specified Shower System Control Valve. Tub or Shower Trim (less tub spout or showerhead, arm & flange) shall be Newport Brass Model 4-2914BP/_____ and single-control Tub or Shower rough valve shall be Newport Brass Model 1-_____. [Optional Shower System Control Valve Trim (Escutcheon/Handle) shall be 3-561/_____ and Shower System Control Valve shall be 1-617].

4-2914BP

PRODUCT DIMENSIONS *(Units are in inches)*

NOTE:

- 1. CUT STEM TO DIMENSION SHOWN
- 2. CUT ALL THREADS 1" SHORTER THAN STEM



Vander Tub or Shower Trim
4-2914BP

NEWPORT BRASS
Flawless Beauty. From Faucet to Finish.™