

# ANNABELLA

## Toilet Tissue Holder **10-89**

### Features

- Solid brass construction
- Double-post design with spring-loaded roller
- Complements Annabella product series

### Codes / Standards Compliance

Meets or exceeds the following at date of manufacture:

- All applicable US Federal and State material regulations

### Colors / Finishes

- 10B: Oil Rubbed Bronze
- 15: Polished Nickel
- 15S: Satin Nickel - PVD
- 26: Polished Chrome
- Other: Refer to the Newport Brass catalog for additional color/finish options.



### Specified Model

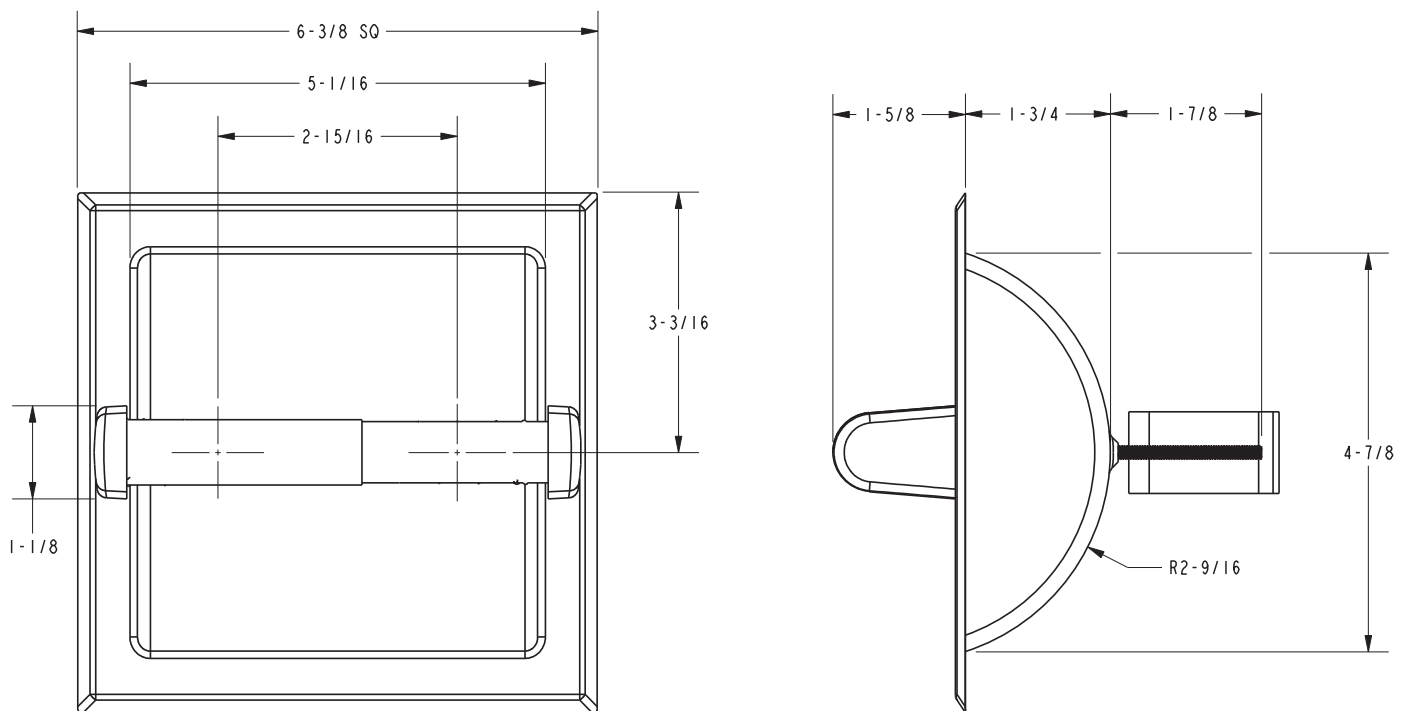
Model	Description	Colors   Finishes
10-89	Recessed Toilet Tissue Holder	<input type="checkbox"/> 10B <input type="checkbox"/> 15 <input type="checkbox"/> 15S <input type="checkbox"/> 26 <input type="checkbox"/> Other

### Product Specification: Add "Color / Finish" suffix to Model number, below.

The Toilet Tissue Holder shall be made of solid brass construction and incorporate a recessed design with spring-loaded roller. Toilet Tissue Holder shall complement Newport Brass Annabella product series. Toilet Tissue Holder shall be Newport Brass Model 10-89/\_\_\_\_\_.

# 10-89

## PRODUCT DIMENSIONS *(Units are in inches)*



**Annabella Toilet Tissue Holder**  
**10-89**