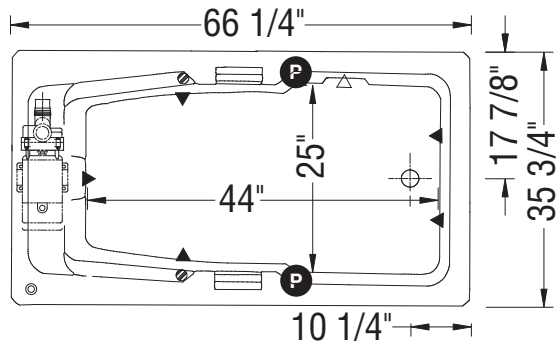
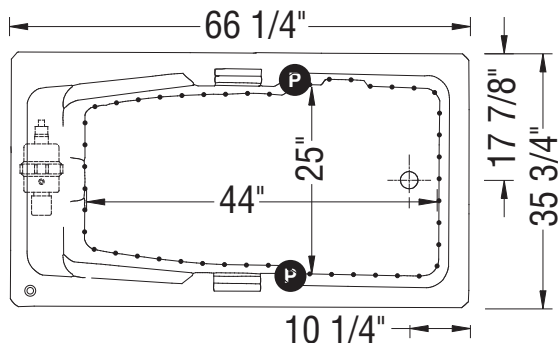


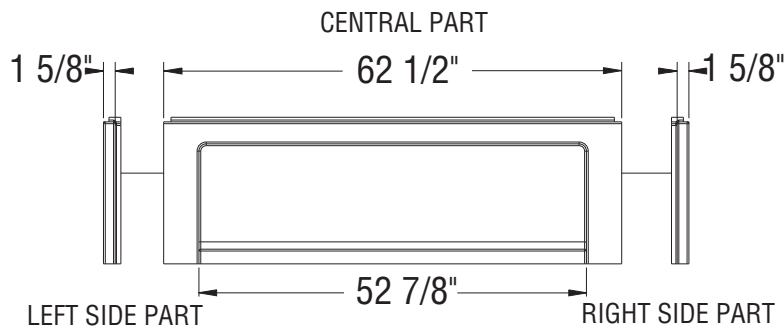
WHIRLPOOL SYSTEM



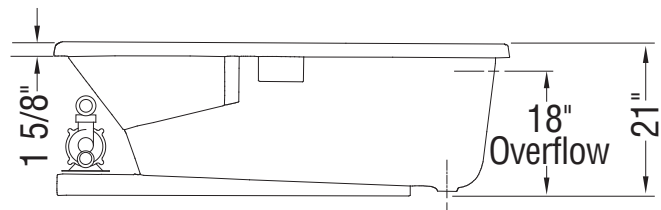
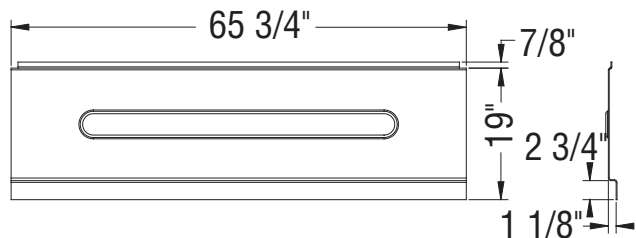
AIR SYSTEM



3-PIECE APRON



1-PIECE APRON



Ⓟ : Indicates optional grab bar positioning

( ▲ ): Indicates Whirlpool jets positioning

( ● ): Indicates airjets positioning

( △ ): Indicates suction positioning

All dimensions are approximate. Structure measurements must be verified against the unit to ensure proper fit.