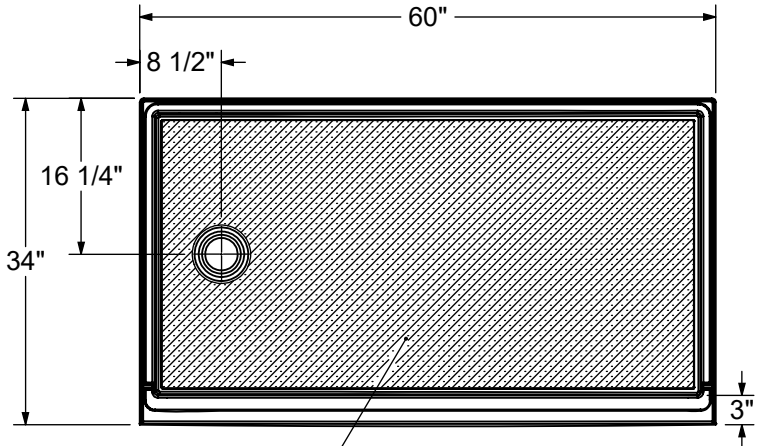
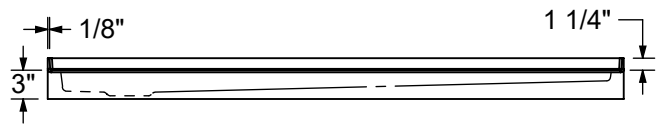


Left model shown  
Right drain model symmetrical



The hatched area represents the anti slip



All dimensions are approximate. Structure measurements must be verified against the unit to ensure proper fit.