

LA Series / SF Series Tubular Entry Set



Material

Stainless Steel Levers and Escutcheons

Levers

All INOX Stainless Steel lever designs

Finish

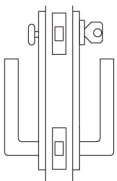
- 630 Satin Stainless Steel (US32D)
- 629 Bright Polished Stainless Steel (US32)
- Two-tone Stainless Steel (SP)
- 613 Oil Rubbed Bronze on Stainless Steel (10B) on selected lever designs

* See page 2.1 for finish availability.

Application

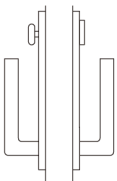
For residential entry doors application.

Functions



Entry (C63)

Deadbolt is locked or unlocked by key or thumb-turn inside. When deadbolt is unlocked, both levers operate latch like a passage set. Deadbolt and latch are not interconnected.



Dummy Entry (EDP)

Both levers are inactive. Dummy cylinder and thumb-turn are inactive.

(* Full dummy set WITHOUT dummy cylinders and thumb-turn is available by specifying "No Dummy Cyl.")

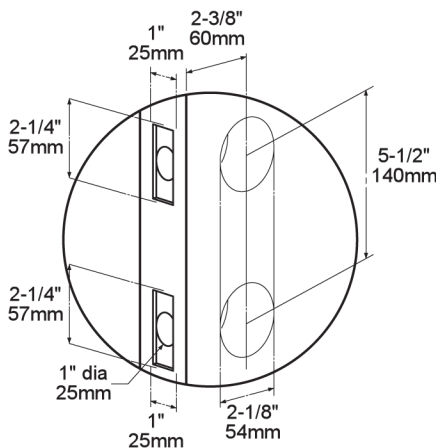
Features

- Standard door preparation
- Strong spring chassis
- Concealed bolt-thru or screws fixing

Specification

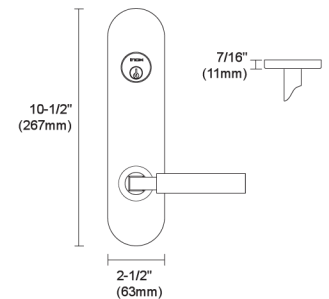
- Door Thickness
1-3/8" (35mm) to 1-3/4" (44mm)
Thick Door Kis available
- Backset: 2-3/8" (60mm) standard
2-3/4" (70mm) optional
- Center Distance: 5-1/2" (140mm)
- Specify handing for all function.
- Latchbolts is field reversible.
- Spindle: 5/16" (8mm) square
- Tubular Latch with 8x8mm hub
- Faceplate and strike plate with square corners. Radius corners available on request.
- Schlage C Keyway 5-pin Cylinder, 2 keys included. Keying service available.

Door Preparation



Escutcheon Plates

LA Plate



SF Plate

