



"Demand Quality, Demand idh" ©

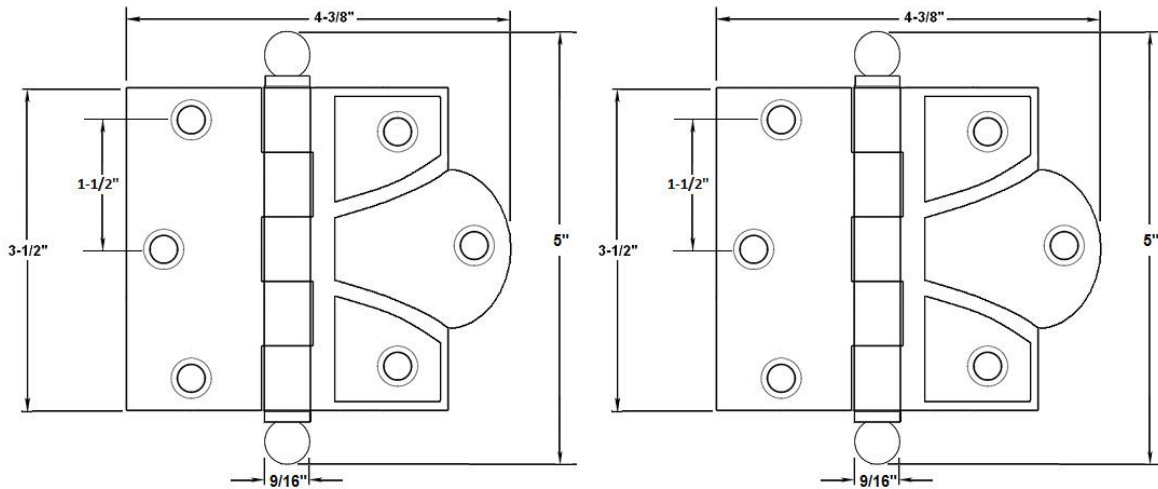
by St. Simons, Inc.

idhbrass.com

Premium Quality Solid Brass Decorative Hardware & Bath Accessories

Product Data Sheet Premium Grade Solid Brass

3-1/2" x 4-3/8" Solid Extruded Brass Half-Surface Offset Hinges (Pair) Item# 80003



Dimensions:

- Length of Joint: 3.5"
- Width Open: 4.375"
- Gauge of Metal:
- Finial Diameter: 0.56"
- Barrel Diameter: 0.57"
- Net Weight: 12.5 oz. (1 Hinge)
- Net Weight: 25.0 oz. (2 Hinges)
- Gross Weight: 27.7 oz. (per inner box)

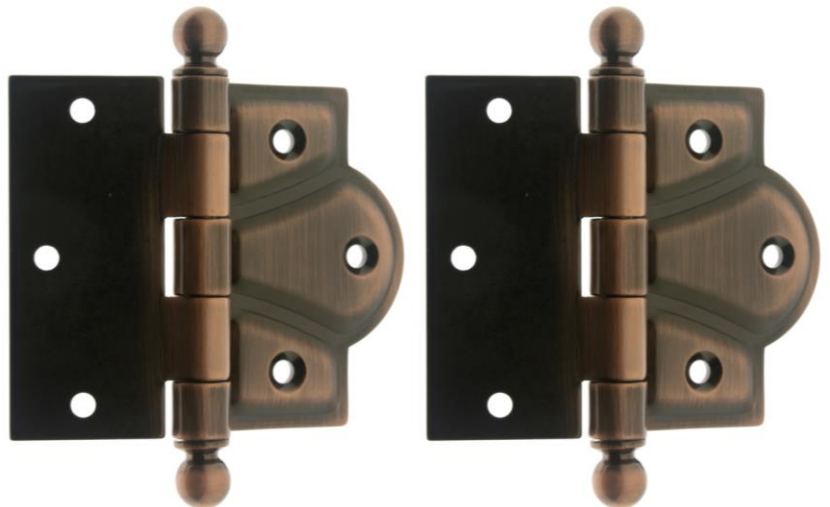
*Dimensions are for reference use only.
For exact dimensions, please measure actual part.*

Product Description & Features:

80003 3-1/8" x 4-3/8" Solid Extruded Brass Half-Surface Offset Hinges (Pair)

- Solid Brass Phillips Flathead Screws
- Screws: #10 x 1.00"
- Screw Qty. per pair: 12
- Packing per box: 1 pair
- Pin Material: 304 Stainless Steel

Application: Door



Catalog Section: J

3-1/2" x 4-3/8" Solid Extruded Brass Half-Surface Offset Hinges (Pair)

Item# 80003

Date: Rev 03/15