



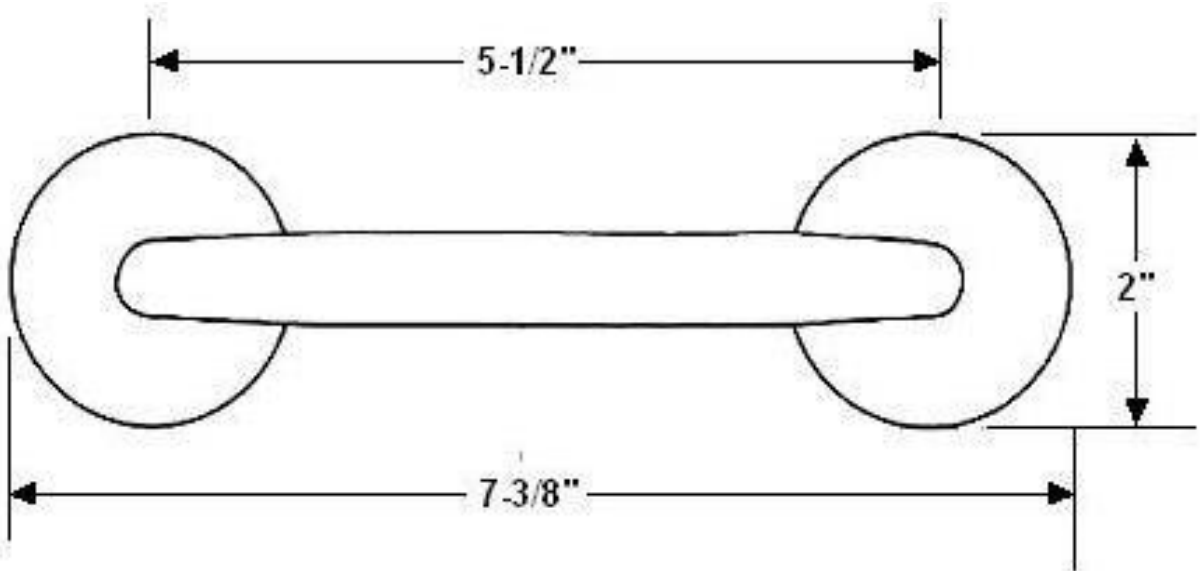
"The Special Finishes Specialist" ©

by St. Simons, Inc.

idhbrass.com

Quality Solid Brass Decorative Hardware & Bath Accessories

Product Data Sheet  
Premium Grade Forged Solid Brass  
**Round Base Pull Through Bolt Mount**  
Item# 25011



**Dimensions:**

- Overall Length: 7-3/8"
- Projection: 1-7/8"
- Base Diameter: 2"
- c/c: 5-1/2"

*Dimensions are for reference use only.  
For exact dimensions, please measure actual part.*

**Product Description & Features:**

25011 Solid Brass Round Base Pull Through Bolt Mount



**Catalog Section: C**

**Round Base Pull Through Bolt Mount**

Item# 25011

Date: Rev 03/13