

## Features

- Solid brass construction
- Two-post design
- Complements Kubic product series

Grab Bar

# 4661

Also 4662, 4663, 4665



## Codes / Standards Compliance

Meets or exceeds the following at date of manufacture:

- All applicable US Federal and State material regulations
- ADA

## Colors / Finishes

- PC: Polished Chrome
- PN: Polished Nickel
- SN: Satin Nickel
  
- Other: NA

## Specified Model

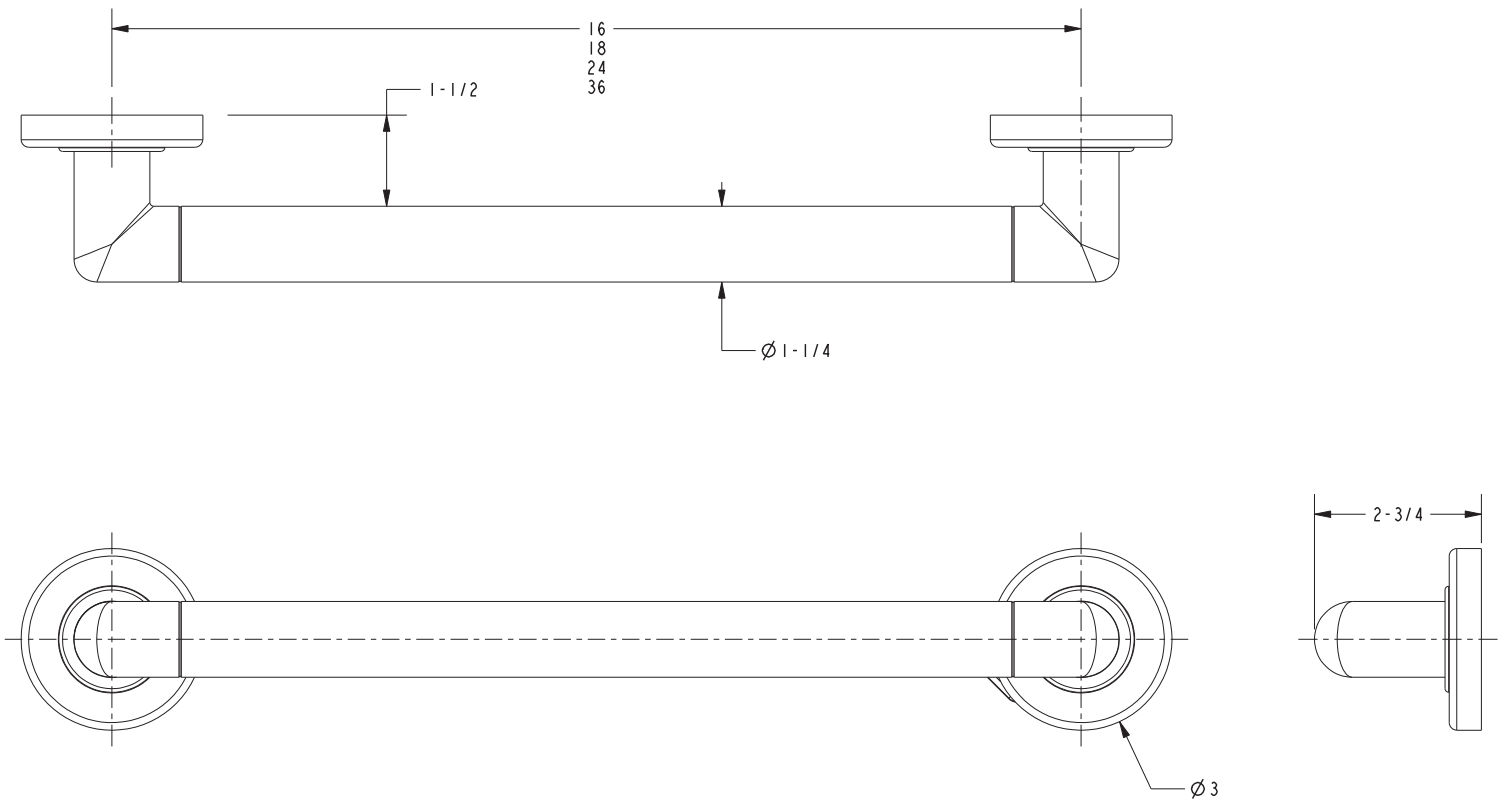
Model	Description	Colors / Finishes
4661	16" Grab Bar	<input type="checkbox"/> PC <input type="checkbox"/> PN <input type="checkbox"/> SN
4662	18" Grab Bar	<input type="checkbox"/> PC <input type="checkbox"/> PN <input type="checkbox"/> SN
4663	24" Grab Bar	<input type="checkbox"/> PC <input type="checkbox"/> PN <input type="checkbox"/> SN
4665	36" Grab Bar	<input type="checkbox"/> PC <input type="checkbox"/> PN <input type="checkbox"/> SN

## Product Specification: Add "Length Indicator and Color / Finish" suffix to Model number, below.

The Grab bar shall be made of solid brass construction. Grab bar shall complement GINGER Kubic product series. Grab bar shall be GINGER model 466\_\_\_\_/\_\_\_\_\_.

# 4661, 4662, 4663, 4665

Product Dimensions (units are in inches)



 MEETS OR EXCEEDS ASTM F446 STANDARDS AND CONFORMS TO ADA GUIDELINES.