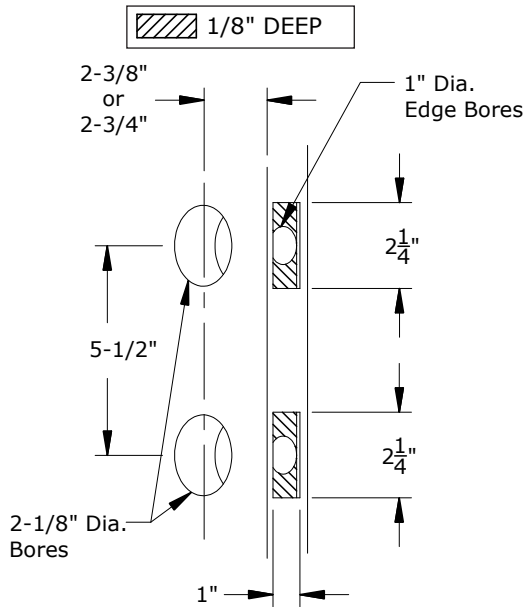
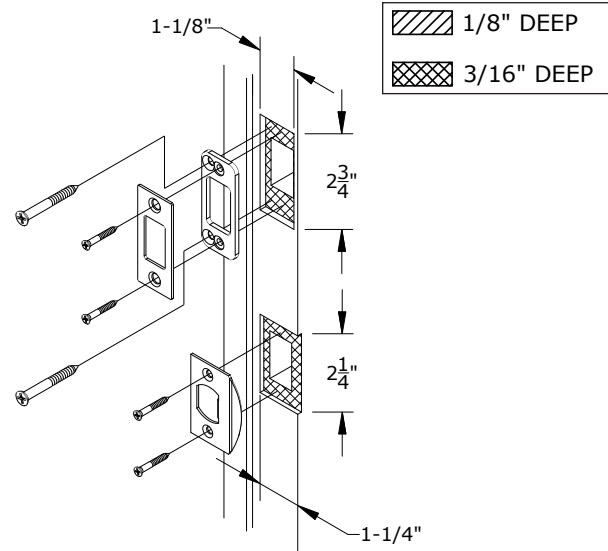


Installation Guide - Two-point lock, Double Cylinder

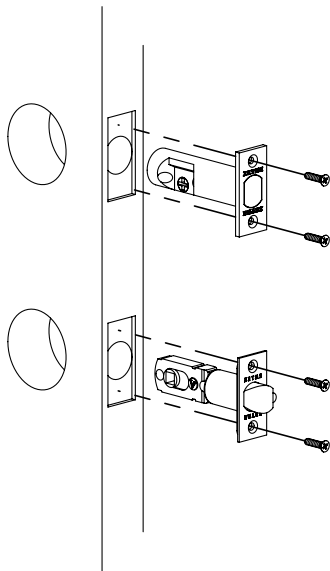
1. Door Prep



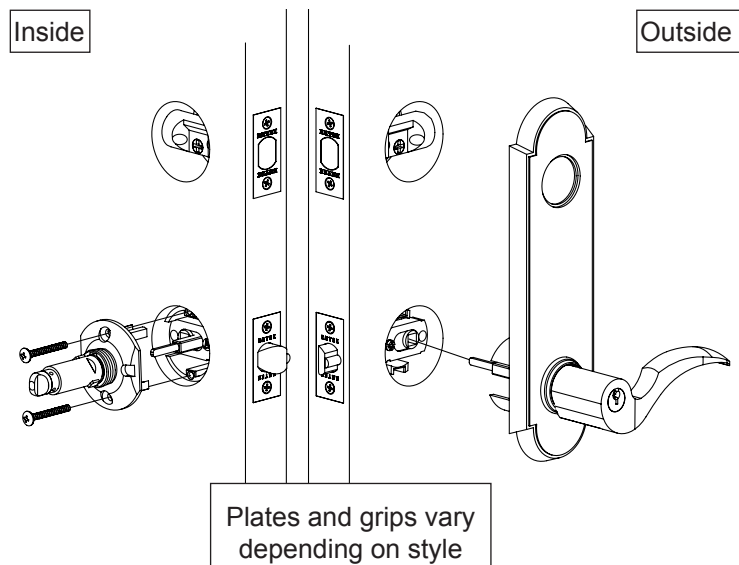
2. Door Jamb Prep



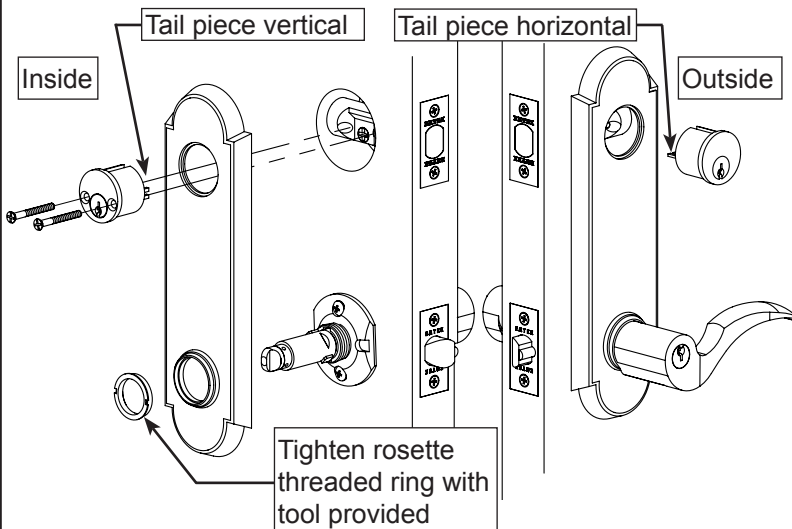
3. Install Bolt and Latch



4. Mount Outside Trim Plate



5. Mount Inside Trim Plate and Cylinders



6. Secure Inside grip

After interior grip is installed, tighten set screw with hex wrench provided.

