

E4026/E4028 VERSA Drain Kit



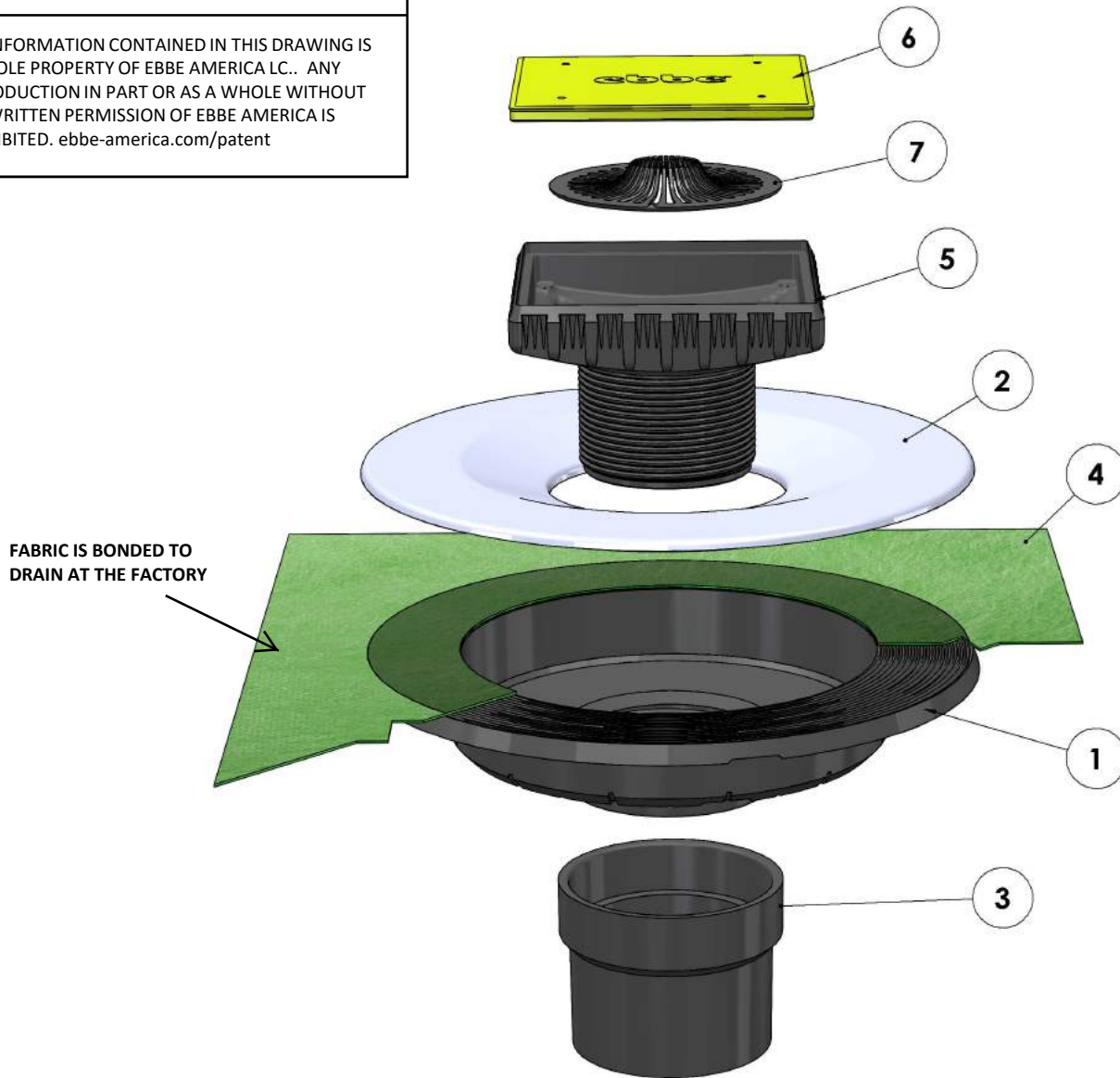
MEETS: IAPMO IGC 195-2013a &
ASME A112.18.2 /CSA B125.2
STANDARDS

THE INFORMATION CONTAINED IN THIS DRAWING IS THE SOLE PROPERTY OF EBBE AMERICA LC.. ANY REPRODUCTION IN PART OR AS A WHOLE WITHOUT THE WRITTEN PERMISSION OF EBBE AMERICA IS PROHIBITED. ebbe-america.com/patent



ebbe

VERSA

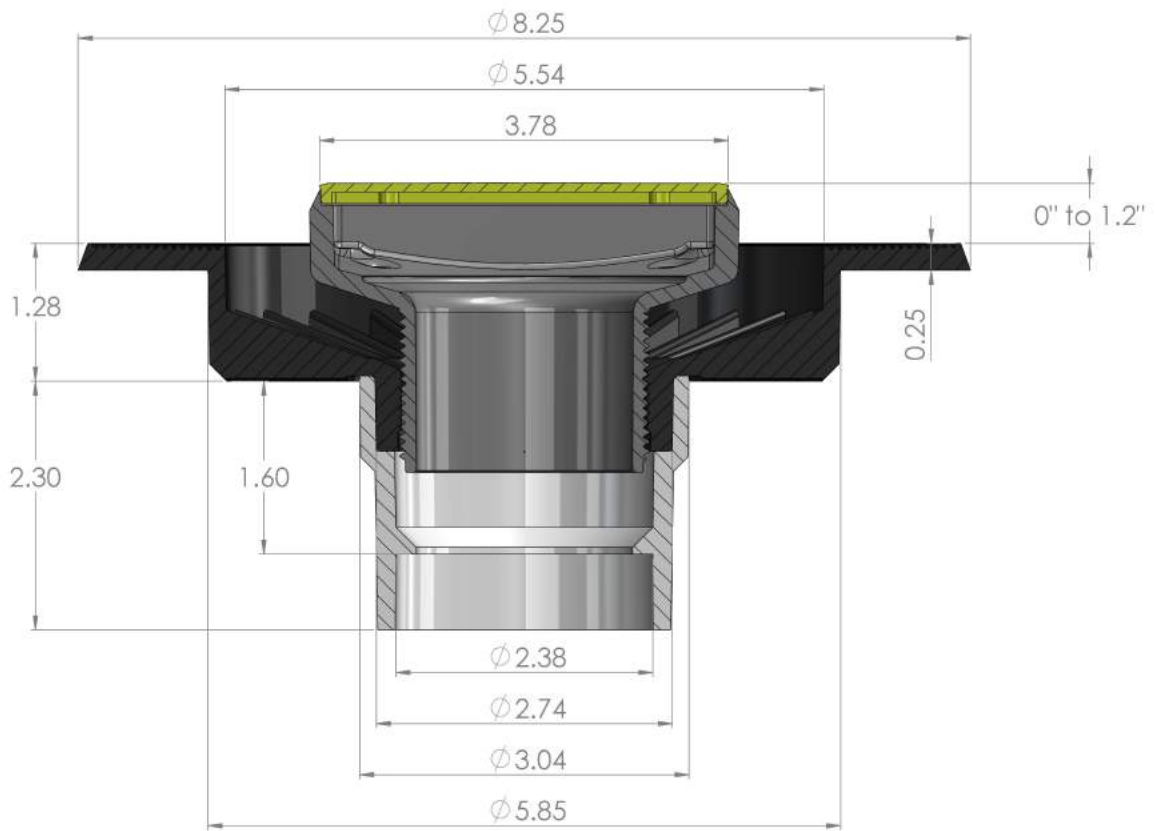
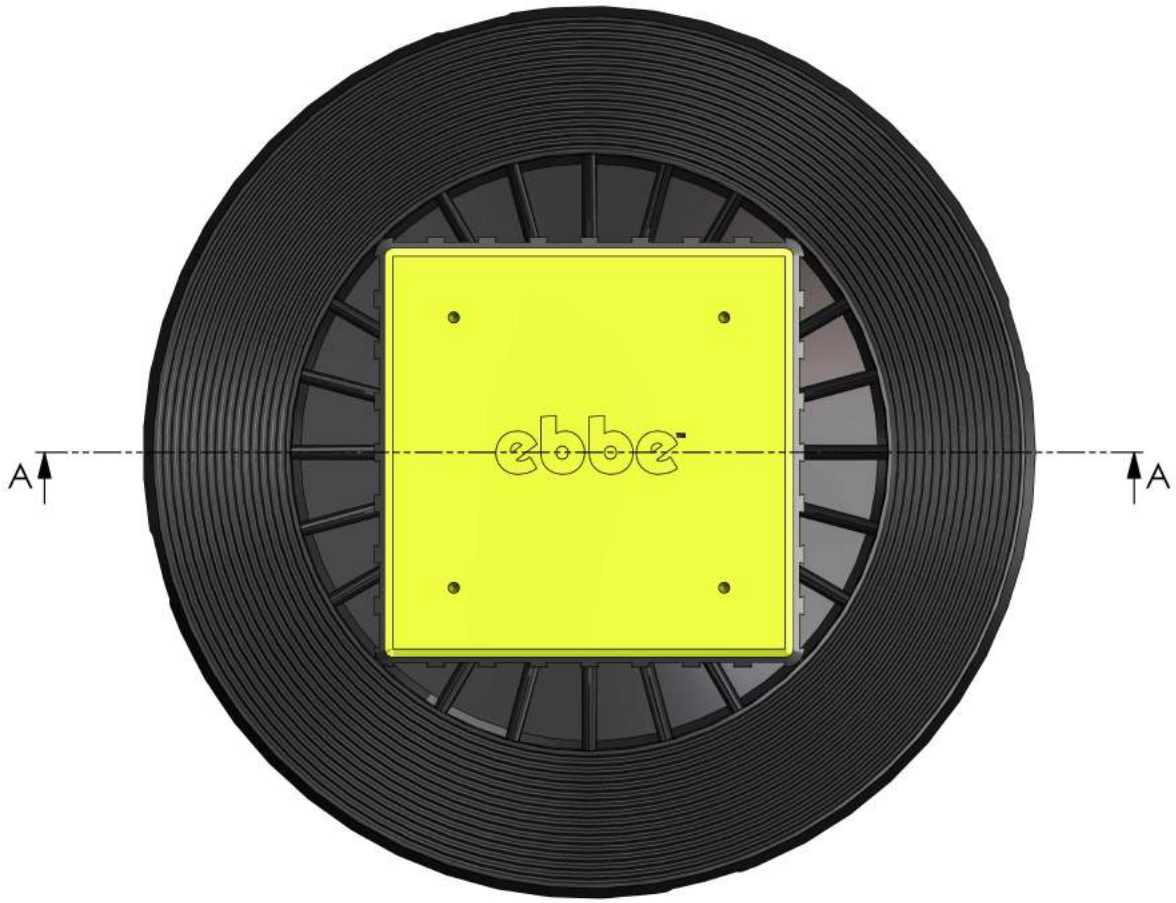


E4026 ebbe VERSA- ABS Drain Kit

Item No.	Part No.	Description	Material	Dimensions
1	E4026-01	ABS Bonding Flange	ABS	8.19x1.75
2	E805	Temporary Clamping Ring	PP	8x0.5
3	E802	ABS Drain to Pipe Connector	ABS	3x2.35
4	E806	Bonded Waterproofing Fabric	PE	11x11
5	E4400	Square Riser	ABS	4x4x2.5
6	E104	Construction Plug	ABS	3.75x3.75x.19
7	E103	Hair Trap	PE	3x0.375

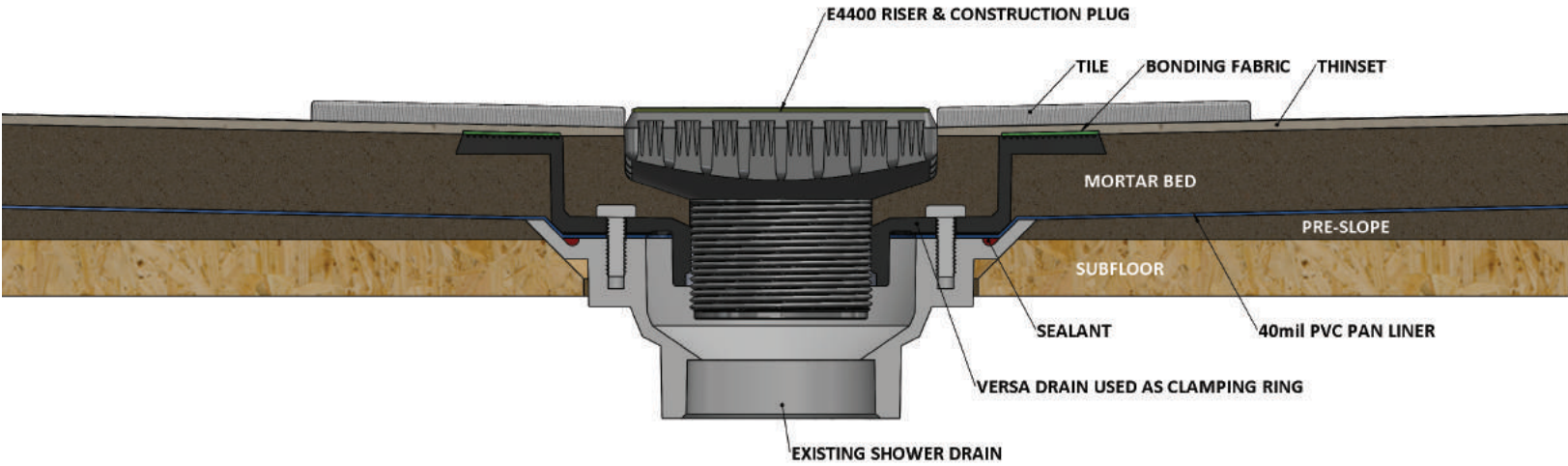
E4028 ebbe VERSA -- PVC Drain Kit

Item No.	Part No.	Description	Material	Dimensions
1	E4028-01	PVC Bonding Flange	ABS/PVC	8.19x1.75
2	E805	Temporary Clamping Ring	PP	8x0.5
3	E804	PVC Drain to Pipe Connector	PVC	3.2.35
4	E812	Bonded Waterproofing Fabric	PE	11x11
5	E4400	Square Riser	ABS	4x4x2.5
6	E104	Construction Plug	ABS	3.75x3.75x.19
7	E103	Hair Trap	PE	3x0.375

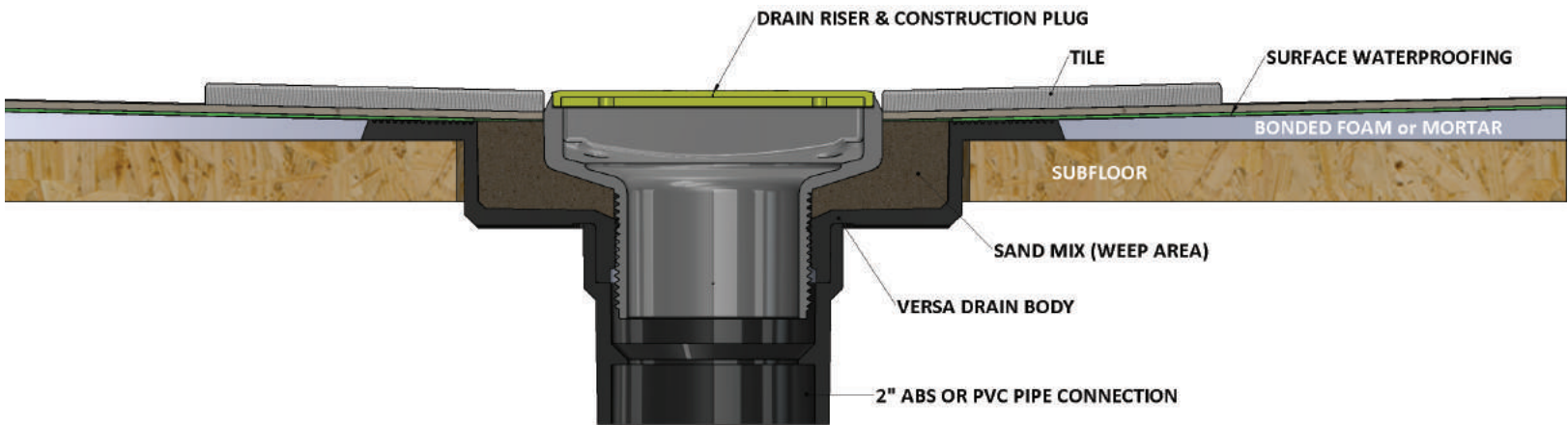


ebbe
VERSA

VERSA to Existing Drain With PVC Pan Liner and Mortar Bed



VERSA with Surface Waterproofing



VERSA to Existing Drain with Surface Waterproofing

