



## Sink - IMO

Single-lever lavatory mixer with drain - polished chrome

Article number: 33 500 670-00 0010

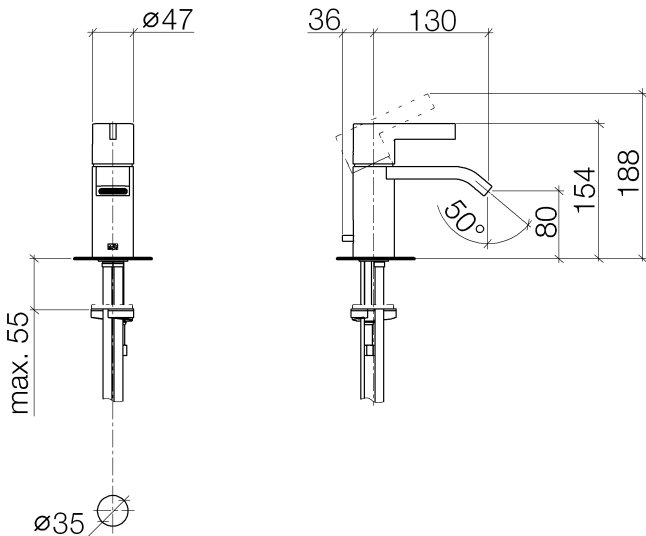
- 5-1/8" Projection
- US drain with overflow
- Rigid spout
- Rectangular aerated stream
- Total height 6-1/8"
- Height to aerator/spout outlet 3-1/8"
- 1-3/8" hole diameter
- 2 x pressure hose with 3/8" compression fitting
- Water flow rate limited to max. 1.2 gpm
- lead-free
- Suitable only for basins with overflow.
- (ADA)



polished chrome



## Dimensional drawing





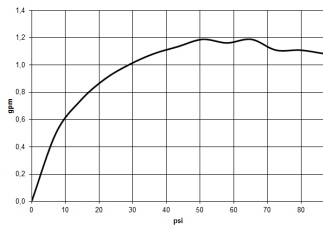
## Sink - IMO

Single-lever lavatory mixer with drain - polished chrome

Article number: 33 500 670-00 0010

All dimensions in mm / inch = mm x 0,0394

### Flow rate chart





## Sink - IMO

Single-lever lavatory mixer with drain - polished chrome

Article number: 33 500 670-00 0010

### Other surface finishes



platinum matte

33 500 670-06 0010



platinum

33 500 670-08 0010



Brushed Durabrass

33 500 670-28 0010

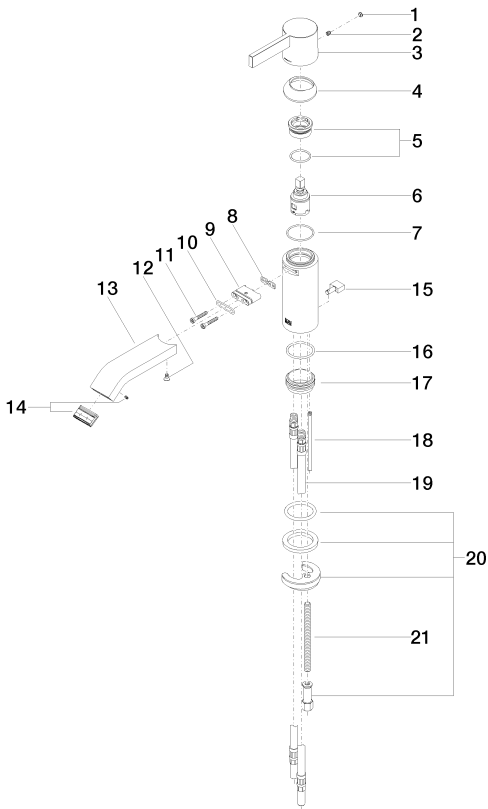
More custom finish options are available via special production (xTra Service). Please see our finish matrix for availability and pricing or contact a Dornbracht representative.

**Sink - IMO**

Single-lever lavatory mixer with drain - polished chrome

Article number: 33 500 670-00 0010

**Spare parts list**



Number	Item Number	Designation	Number of units
1	90 31 20 087 00-00	plug	1
2	09 31 11 030 90	pin	1
3	09 20 67 003-00	handle	1
4	09 28 30 019-00	cover	1
5	90 23 10 066 00 90	nut	1
6	90 15 05 042 00 90	cartridge	1
7	09 14 10 102 90	seal	1
8	09 14 03 131 90	seal	1
9	09 11 03 061 90	connection	1
10	09 14 10 053 90	seal	1
11	09 30 30 084 90	screw	2
12	09 30 30 116 90	screw	1
13	09 28 22 239-00	spout	1
14	90 29 03 118 00 90	aerator	1
15	09 20 67 002-00	handle	1
16	09 14 10 119 90	seal	1
17	09 28 10 109-07	ring	1
18	09 31 09 080-00	pull-rod	1
19	04 30 04 045 00 90	Flexible supply line 3/8"	2
20	04 30 11 085 62 90	fixing set	1
21	09 31 11 012 90	pin	1
22	04 11 01 023 00-00	Drain - polished chrome	1

22 ——— Abba/gemtur 04.11.01 023.00-00