



Sink - Tara.

Three-hole lavatory mixer with drain - polished chrome

Article number: 20 713 882-00 0010



- 6-1/2" Projection
- US drain with overflow
- Swiveling spout 360°
- Round aerated stream
- Total height 11-1/4"
- Height to aerator/spout outlet 6-3/8"
- Valve hole diameter 1-1/4"
- Spout hole diameter 1-3/8"
- Flange diameter 2-1/8"
- Water flow rate limited to max. 1.2 gpm
- lead-free
- (ADA)
- Suitable only for basins with overflow.



polished chrome



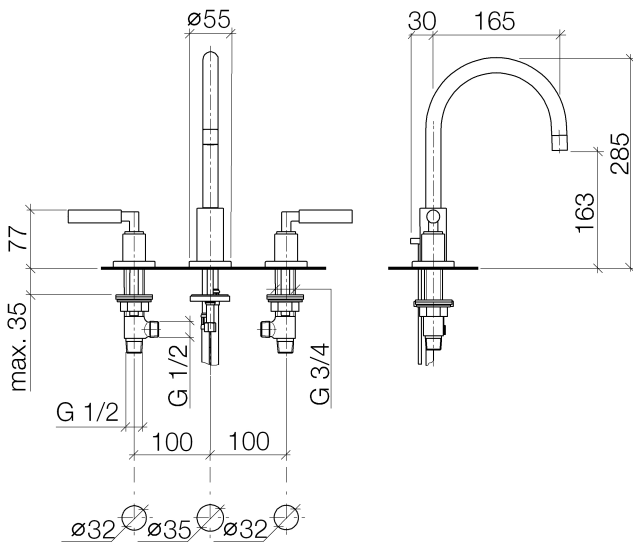


Sink - Tara.

Three-hole lavatory mixer with drain - polished chrome

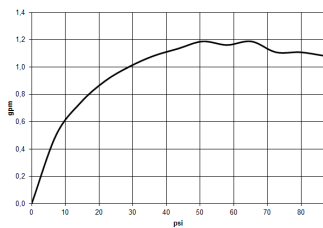
Article number: 20 713 882-00 0010

Dimensional drawing



All dimensions in mm / inch = mm x 0,0394

Flow rate chart





Sink - Tara.

Three-hole lavatory mixer with drain - polished chrome

Article number: 20 713 882-00 0010

Other surface finishes



platinum matte

20 713 882-06 0010



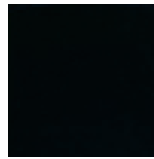
platinum

20 713 882-08 0010



Brushed Durabrass

20 713 882-28 0010



black matte

20 713 882-33 0010



Dark Platinum matte

20 713 882-99 0010

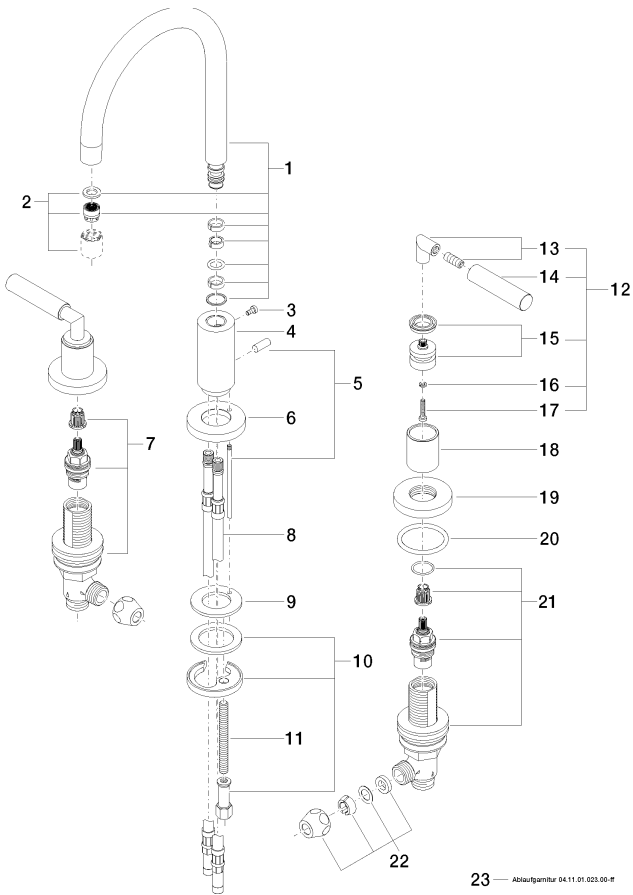
More custom finish options are available via special production (xTra Service). Please see our finish matrix for availability and pricing or contact a Dornbracht representative.

Sink - Tara.

Three-hole lavatory mixer with drain - polished chrome

Article number: 20 713 882-00 0010

Spare parts list



| Number | Item Number | Designation | Number of units |
|--------|--------------------|-------------------------|-----------------|
| 1 | 90 28 22 213 02-00 | spout | 1 |
| 2 | 90 23 01 028 04-00 | aerator | 1 |
| 3 | 09 30 30 057 90 | screw | 1 |
| 4 | 09 11 10 087 10-00 | connection | 1 |
| 5 | 04 20 89 030 80-00 | pull-rod | 1 |
| 6 | 09 28 10 133-00 | ring | 1 |
| 7 | 90 17 11 040 51 90 | side panel | 1 |
| 8 | 04 30 04 064 00 90 | hose | 2 |
| 9 | 09 14 05 047 90 | seal | 1 |
| 10 | 04 30 11 038 00 90 | fixing set | 1 |
| 11 | 09 31 11 011 90 | pin | 1 |
| 12 | 04 20 88 052 00-00 | handle | 2 |
| 13 | 04 18 20 022 00-00 | angle | 2 |
| 14 | 09 20 88 052-00 | handle | 2 |
| 15 | 90 12 12 007 00-00 | base | 2 |
| 16 | 09 30 11 029 90 | disc | 2 |
| 17 | 09 30 30 075 90 | screw | 2 |
| 18 | 09 21 02 140-00 | sleeve | 2 |
| 19 | 09 27 89 105-00 | rosette | 2 |
| 20 | 09 14 10 043 90 | seal | 2 |
| 21 | 90 17 11 040 50 90 | side panel | 1 |
| 22 | 04 23 30 040 00-00 | threaded connector | 2 |
| 23 | 04 11 01 023 00-00 | Drain - polished chrome | 1 |