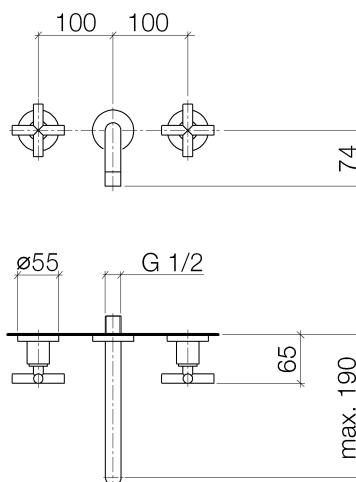




Product specifications

- **190 mm projection**
- fixed spout
- circular, air-enriched flow
- hole diameter valve 40 mm
- hole diameter spout 40 mm
- rosette \varnothing 55 mm
- max. flow 8 l/min
- lead-free





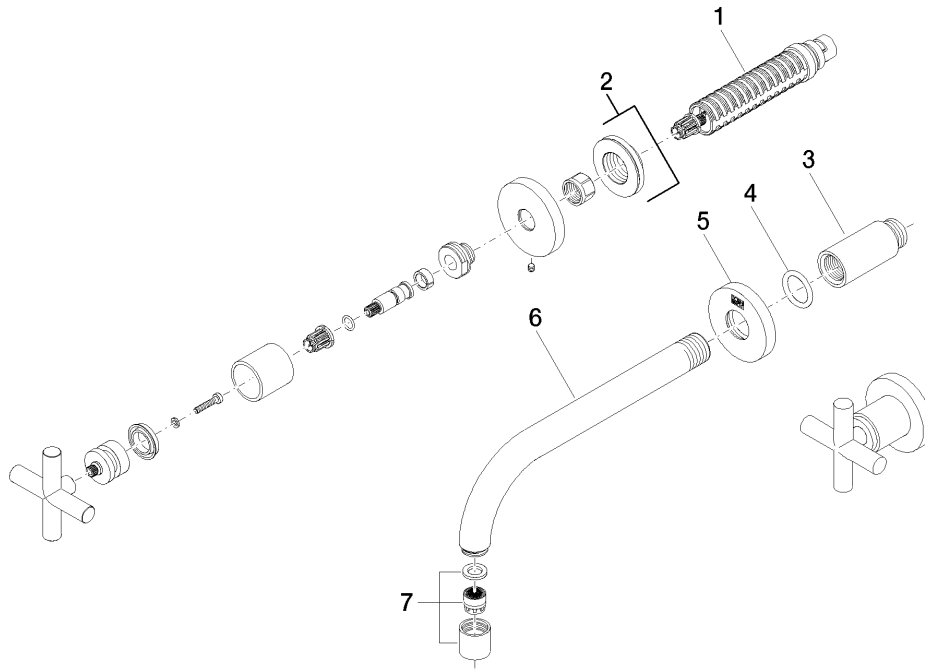
Surfaces

- chrome 36712892-00
- platinum matt 36712892-06
- platinum 36712892-08
- matt black 36712892-33
- Cyprum 36712892-49

Accessories required

- Concealed wall-mounted mixer Centred spout; 35 707 970
- Concealed wall-mounted mixer variable positioning; 35 712 970
- Concealed wall-mounted mixer spout on left; 35 713 970
- Concealed wall-mounted mixer spout on right; 35 714 970

Exploded assembly drawing



**Order quantity**

No.	Article number	Name	Installation quantity
1	9090031570090	top	2
2	36310892ff	connection	2
3	0924030811090	extension	1
4	09141002690	seal	1
5	092722503ff	rosette	1
6	04282209010ff	spout	1
7	90230101900ff	aerator	1

Flow rate chart

