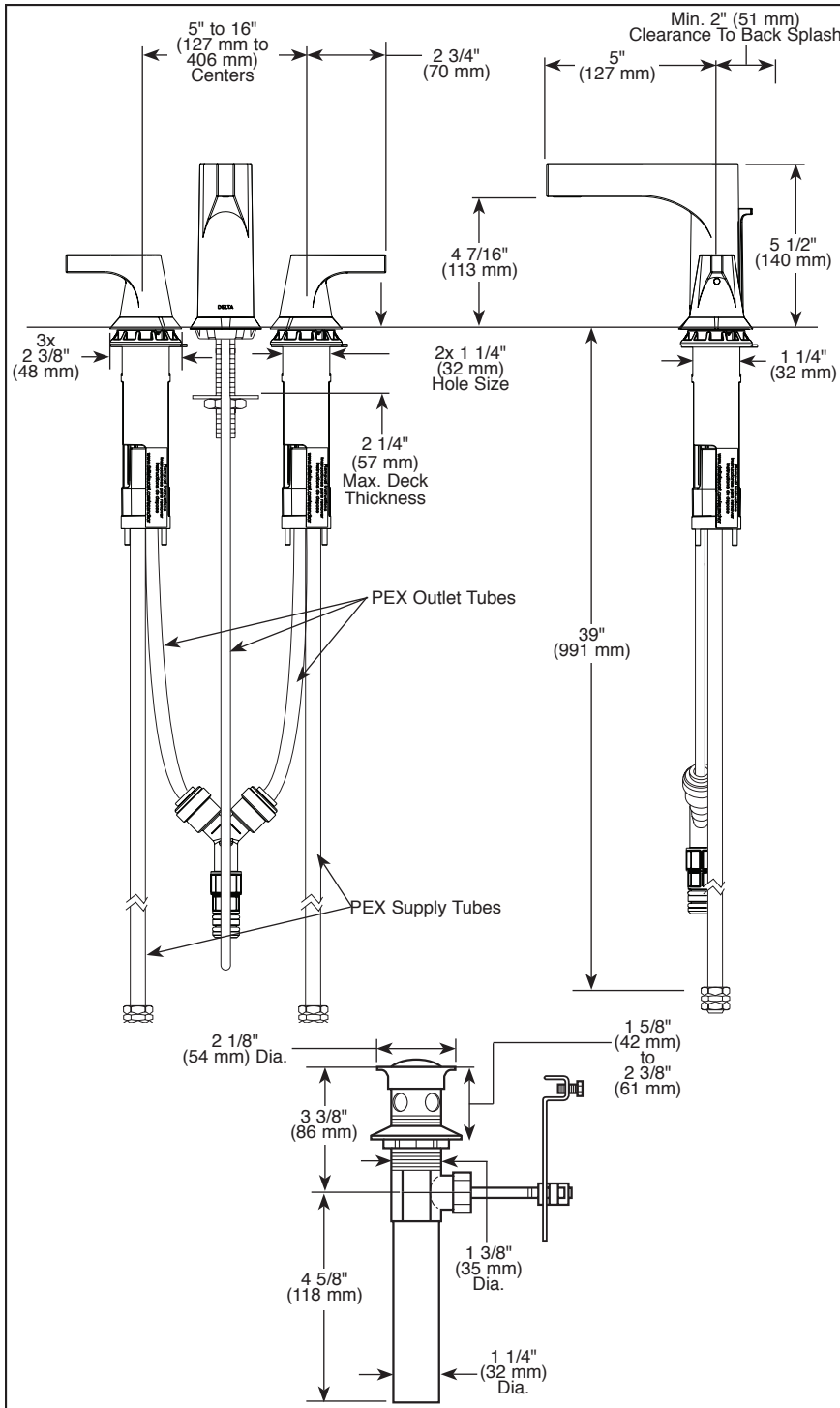


3574▲-MPU-DST

Submitted Model No.: _____

Specific Features: _____



▲ Designate proper finish suffix

Delta reserves the right (1) to make changes in specifications and materials, and (2) to change or discontinue models, both without notice or obligation. Dimensions are for reference only. See current full-line price book or www.deltafaucet.com for finish options and product availability.

DSP-L-3574-MPU-DST Rev. C



see what Delta can do™

BATHROOM FAUCET

- Zura™ Bath Collection
- Two Handle Widespread Deck Mount

FEATURES:

- DIAMOND Seal® Technology
- EZ Anchor® Top Down Mounting (end bodies only)

STANDARD SPECIFICATIONS:

- Max. flow rate 1.2 gpm @ 60 psi, 4.5 L/min @ 414 kPa
- Three hole mount
- Solid brass fabricated body
- 1/4 turn stops
- Hot and cold stems are interchangeable
- Diamond coated ceramic cartridge
- 3/8" O.D. straight PEX supply tubes
- Models have metal drain with pop-up type fitting with plated flange and stopper
- Drain operates using vertical slide mechanism

WARRANTY

- Parts and Finish - Lifetime limited warranty; or for commercial purchasers, 10 years for multi-family residential (apartments and condominiums) and 5 years for all other commercial uses, in each case from the date of purchase.
- Electronic Parts and Batteries (if applicable) - 5 years from the date of purchase; or for commercial purchasers, 1 year from the date of purchase. No warranty is provided on batteries.



COMPLETE VALVE COMPLIES WITH:

- ASME A112.18.1 / CSA B125.1
- ASME A112.18.2 / CSA B125.2
- ASME A112.18.6
- ICC/ANSI A117.1 - Valve control only
- EPA WaterSense®
- Verified compliant with .25% weighted average Pb content regulations.

Delta Faucet Company

55 E. 111th Street, Indianapolis, IN 46280
 350 South Edgeware Road, St. Thomas, ON N5P 4L1
 © 2020 Delta Faucet Company