



see what Delta can doSM

ACCESSORIES

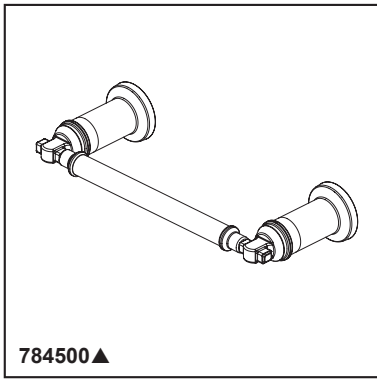
- Broderick™ Bath Collection
- Pivoting Tissue Holder

STANDARD SPECIFICATIONS:

- Wood blocking is preferable behind all wall surfaces. If wood blocking is not available, the following fasteners are suggested: Tile/Masonry-Plastic or lead Anchors Plaster/drywall-Toggle bolts.
- Mounting hardware included with product.
- Pivoting arm

WARRANTY

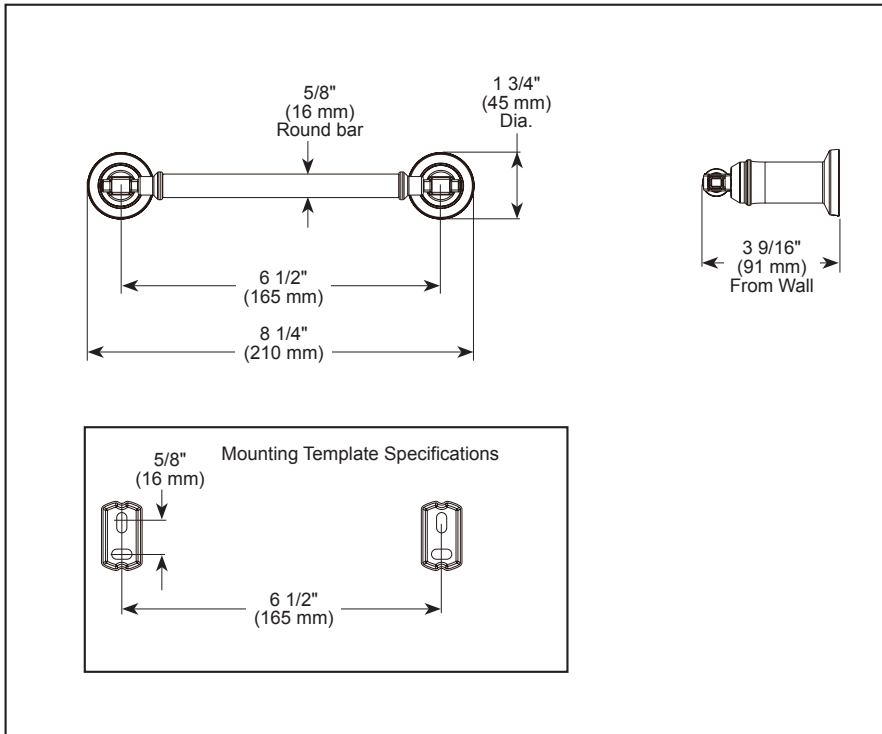
- Parts and Finish - Lifetime limited warranty; or for commercial purchasers, 10 years for multi-family residential (apartments and condominiums) and 5 years for all other commercial uses, in each case from the date of purchase.



784500▲

Submitted Model No.: _____

Specific Features: _____



▲ Designate Proper Finish Suffix