

# Installation Instructions

Read through the notes carefully before beginning as different mounting plate positions and setups may be required for different configurations.

### IMPORTANT

CS carriages require a clean track running surface free of any contamination or damage. After installation but before lining, **clean the full length of the inside running surface of the track with a soft rag to ensure no dirt, grit or aluminum swarf get into the track. TAPE UP THE TRACK to ensure no dust or debris enter the track during building works.**

**Please Note:** Most of the time the carriages, SofStop mechanism and activators can be inserted into one end of the track after the track is mounted.

If there is no room, you will need to insert these components before mounting the track.

### 1. Prepare the doors.

CS CaviTrack Side Mount is designed to suit doors from 35-45mm thick (1-3/8" to 1-3/4") as standard.

If your doors are 2" thick, you will need to add a spacer.

If your doors are 2-1/4" thick, you will need to add a spacer and offset the mounting plate as shown.

### Drill mounting plate holes.

#### a) 1-3/8" & 1-3/4" thick doors.

Drill front and rear holes 150mm (6") in from the edge of the top of your door leaf as shown (right).

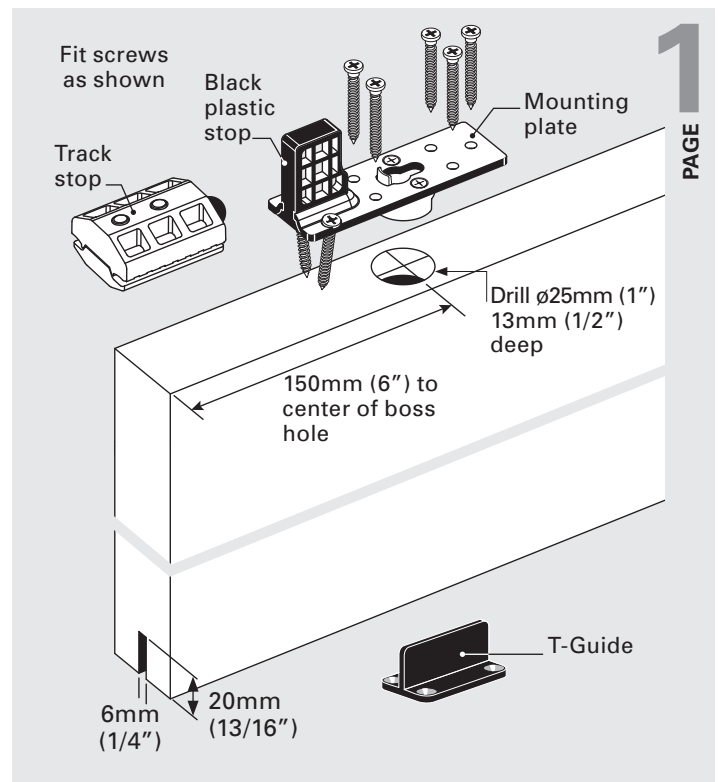
Note: these mounting plates must be placed **exactly** in the center of the door thickness.

#### b) 2" thick doors:

Drill holes as above.

#### c) 2-1/4" thick doors:

Drill holes as above, but offset them 6.35mm (1/4") from the center of the door leaf as shown.



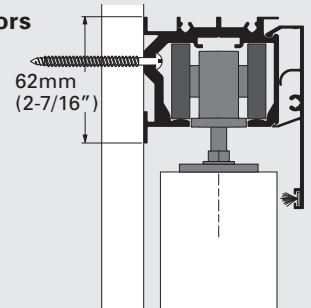
### Groove the door.

At the bottom of the door, cut a groove to the dimensions shown. Make it central to the door thickness and absolutely straight.

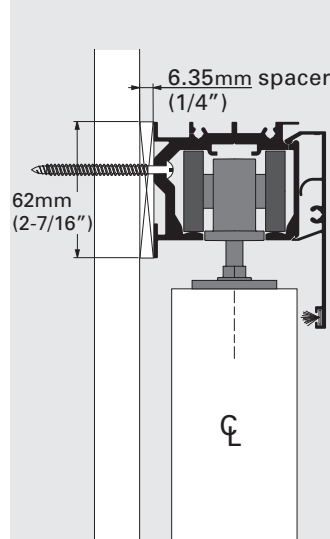
### Fit mounting plates.

Screw the mounting plates to the front and rear top edge of the door, making sure the black plastic stop is facing the edge of the door.

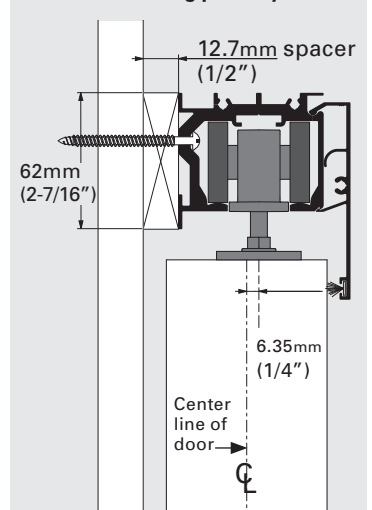
#### 1-3/8" & 1-3/4" thick doors



#### 2" thick doors

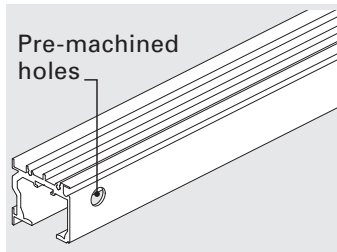


#### 2-1/4" thick doors ONLY Offset mounting plate by 1/4"



## 2. Fix the track.

**CS CaviTrack Side Mount** is screw fixed from the side through the pre-machined holes in the extrusion.



Screw fix the track to the stud wall using #8 screws, ensuring it is level and solid enough to support the door weight.

**Note:** for 2" thick doors, a 6.35mm (1/4") spacer is required. For 2-1/4" thick doors, a 12.7mm (1/2") spacer is required.

For fixing to concrete walls, the use of masonry anchors is recommended. You may need to open the existing holes to suit the type of masonry anchor you have selected.

Clean out all swarf and debris from the track before hanging the door.

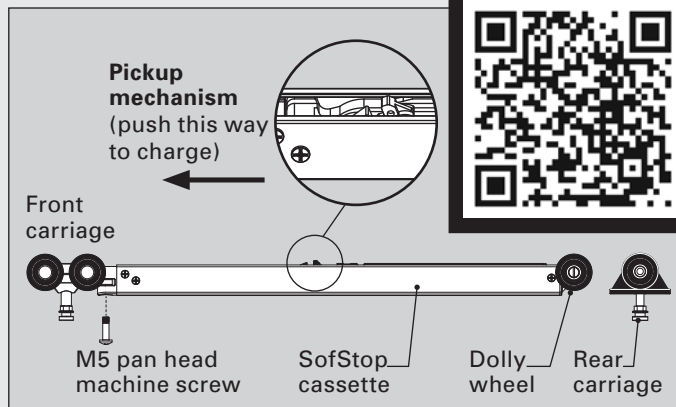
## 3. Fit the carriages (A, B or C).

### A. Standard M6/M8 (non-SofStop)

Insert the carriages into the track, taking care not to damage the wheels on the sharp edge of the track.

### B SofStop® Single (Soft Close)

The single SofStop mechanism fits together as shown below. **Push pickup mechanism in the direction shown to charge it.**



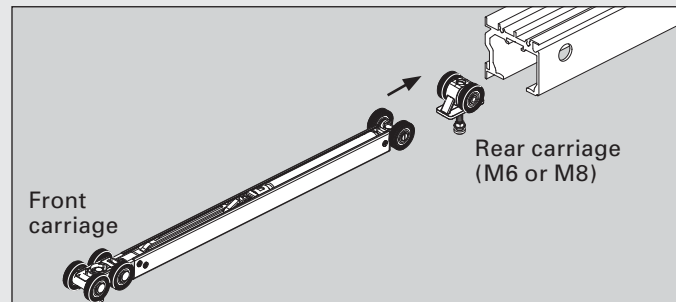
### Watch Video:

SofStop Installation and Trouble Shooting Tips



- b) Most of the time you will have room to slide the mechanism in from the end of the track fully assembled.
- c) If there is not enough room, remove the front carriage (attached to the SofStop cassette).

Insert as individual components and re-assemble in the track.



**Make sure the front carriage with the tow bar connected to the soft close mechanism faces the end of the track that you want to soft close.**

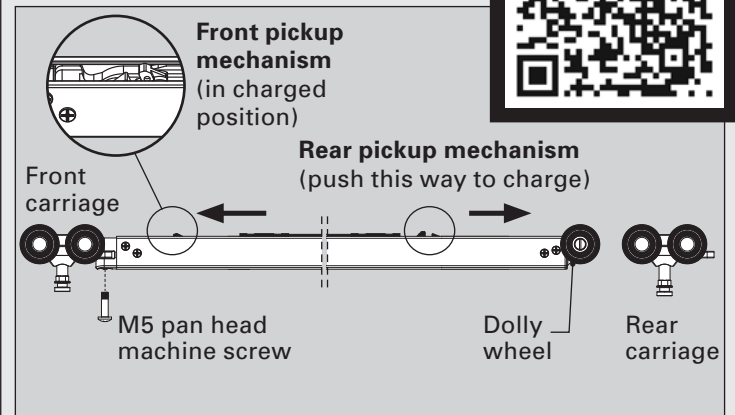
### C SofStop® Twin (Open & Close)

The twin SofStop mechanism fits together as shown below.

**Push front and rear pickup mechanisms in the direction shown to charge them.**

### Watch Video:

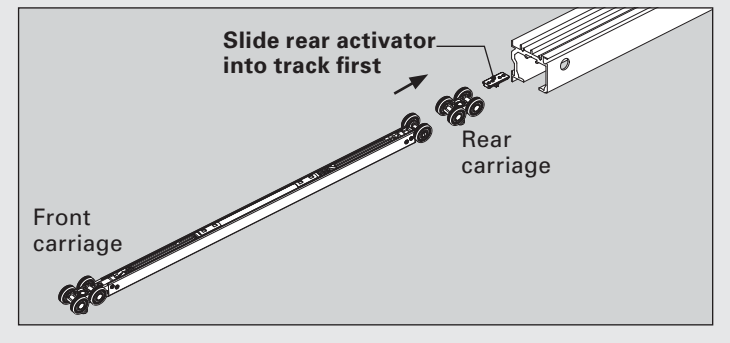
SofStop Installation and Trouble Shooting Tips



Most of the time you will have the room to slide the mechanism in from the end of the track fully assembled.

If there is not enough room, remove the front carriage (attached to the SofStop cassette).

Insert as individual components and re-assemble in the track.

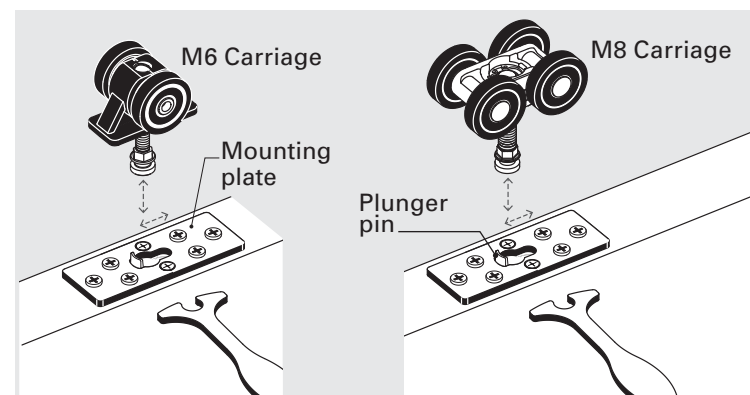


## 4. Hang the door.

Position the carriages in the pocket opening approximately where the mounting plates on the door will be located when the door is in the closed position.

Position the door underneath the carriages. Raise the door up so that the round head of the wheel hanger shaft lines up with the keyhole shaped hole in the mounting plate.

Depress the plunger using the wheel hanger shaft head and slide sideways using the adjusting wrench until it snaps into locked position. Repeat for the other carriage.

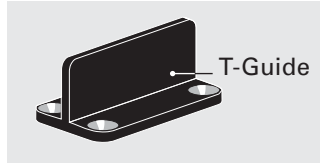


## 5. Fit the T-Guide.

Screw the 23mm (7/8") high black plastic floor guide in the correct location.

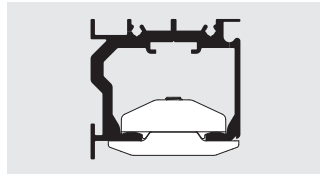
The T-Guide should be concealed directly below the front edge of the door.

Note: a 50mm (2") high T-Guide is available if required.



## 6. Insert the track stops.

Once the door is installed and running smoothly, insert the track stops into the track (if not already fitted) and tighten in the correct location.



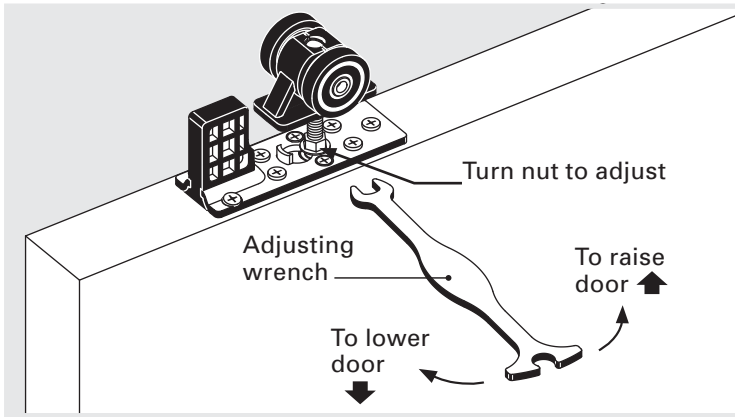
## 7. Adjust the door height.

When adjusting door height, the wrench should be horizontal to the nut.

Use the small end of the wrench supplied to adjust the door for height and plumb.

To **raise** door: Rotate wrench from **left to right**.

To **lower** door: Rotate wrench from **right to left**.



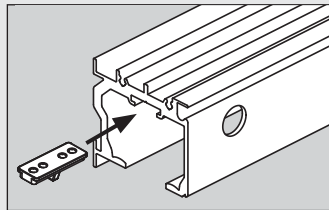
**Take care not to wind the hanger pin up too far on SofStop carriers as it will hit the activator in the track.**

## 8. Set the activator position.

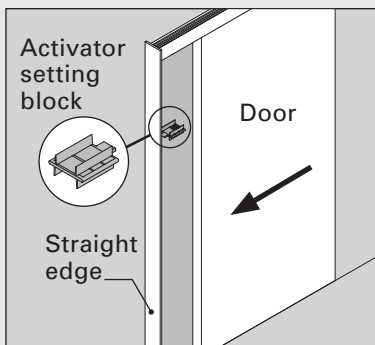
### SofStop® Single & Twin

a) Slide the activator into the track through the activator slot and position it about 20" back from the end of the track that you want to soft close.

**Do not tighten set screws.**



b) If the end of the track does not butt up to the wall, use a straight edge. Hold the activator setting block on the straight edge or finished wall and gently close the door onto it. The activator will slide along the track into the correct position.

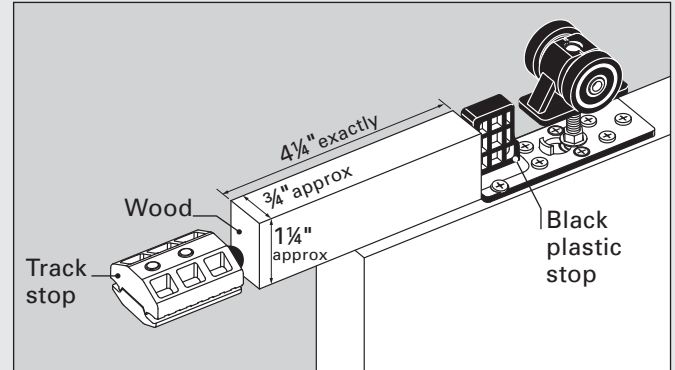


### WARNING:

If the door soft closes, but does not come to a stand still on a strike jamb, closing jamb or track stop, you risk breaking the hook on the soft close mechanism. If you use the activator setting block correctly this will be avoided.

c) Open the door and remove the activator setting block. Without moving the activator, tighten all four set screws.

d) **Mounting Plate with Stop:** To set the activator position in the track when using track stops, cut a piece of wood to 4-1/4" and insert it above the door instead of using the activator setting block. Make sure the piece of wood is hard up against the black plastic stop on the mounting plate, then slowly close the door until the piece of wood hits the rubber part of the track stop. Without moving the activator, open the door and securely tighten all four set screws on the activator.



d) If you have a twin mechanism (soft close & soft open), you will need two activators. Repeat the steps above for the other end.

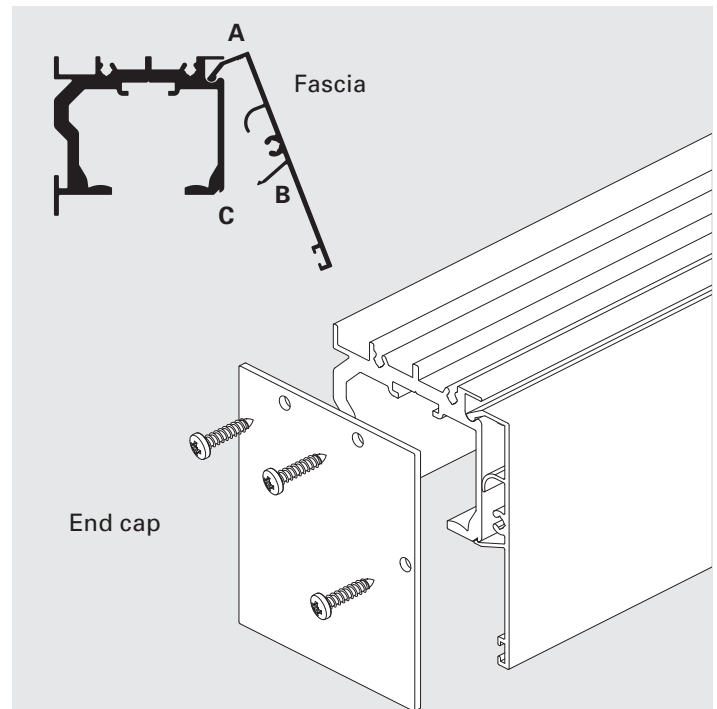
## 9. Attach the fascia and end caps.

Remove protective tape from fascia if applied.

Insert top leg of fascia (A) into the recessed groove at the top of the track extrusion.

Push down firmly until middle leg (B) clips into groove (C) along the bottom of the track extrusion.

Screw end caps into screw tubes inside track and fascia extrusions as shown using screws provided.



Go to page 4 (overleaf) →

**10. If you need to remove the door.**

Fit the club end of the adjusting wrench over the hexagonal nut at the bottom of the hanger pin.

Use the extended part of the wrench to press down the plunger pin that protrudes up from the mounting plate.

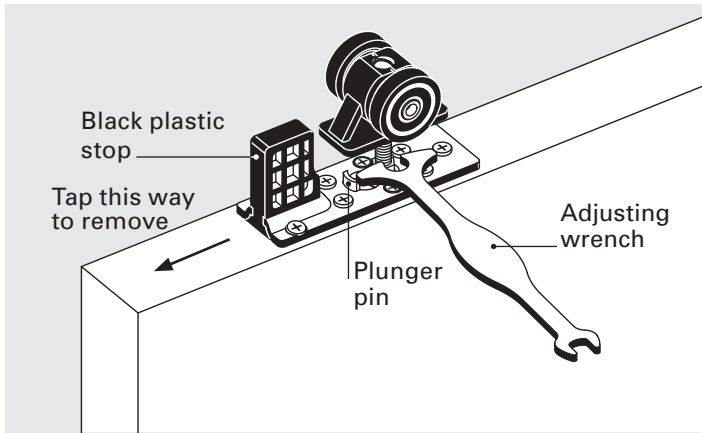
Once this plunger is fully depressed slide the wrench sideways towards the plunger pin.

The whole carriage (including the shaft) will now disengage from the mounting plate.

It is not always easy to slide the wrench sideways.

You may need to relieve the door's weight by putting a wedge between door and floor.

Remove the black plastic stop that is tightly fitted into the mounting plate by tapping it out in the direction shown using a hammer and drift.



**Cavity Sliders USA Inc.**  
548 Finney Ct, Gardena, CA 90248  
Phone: (888) 466 0030  
Fax: (310) 769 5824

[info@cavitysliders.com](mailto:info@cavitysliders.com)  
[www.cavitysliders.com](http://www.cavitysliders.com)

Another quality product from:



© All copyright and other property in this document is reserved by Cavity Sliders USA Inc. Details and specifications are subject to change without notice. Whilst all care is taken to ensure the accuracy of all information, no responsibility will be accepted for any errors or omissions. Drawings are not to scale.

CS CaviTrack Side Mount (O.D. 2018). 01.2021 - ZG00301 / 61318/US