

## Installation Instructions

Read through the notes carefully before beginning as different mounting plate positions and setups may be required for different configurations.

### IMPORTANT

CS carriages require a clean track running surface free of any contamination or damage.

After installation but before lining, **clean the full length of the inside running surface of the track with a soft rag to ensure no dirt, grit or aluminum swarf get into the track. TAPE UP THE TRACK to ensure no dust or debris enter the track during building works.**

### 1. Prepare the door(s).

Note whether your mounting plates have a stop or not as the distance in from the edge of the door is different. Drill holes both ends of the door in the positions shown (A or B).

Screw both mounting plates to the door with the plunger pins facing towards the edges of the door. Make sure they are placed exactly in the center of the door thickness.

At the bottom of the door, cut a groove to the dimensions shown. Make it central of the door thickness and absolutely straight.

### 2. Mounting plate with stop.

The mounting plate with the black plastic stop fits nearest to the leading edge of the door.

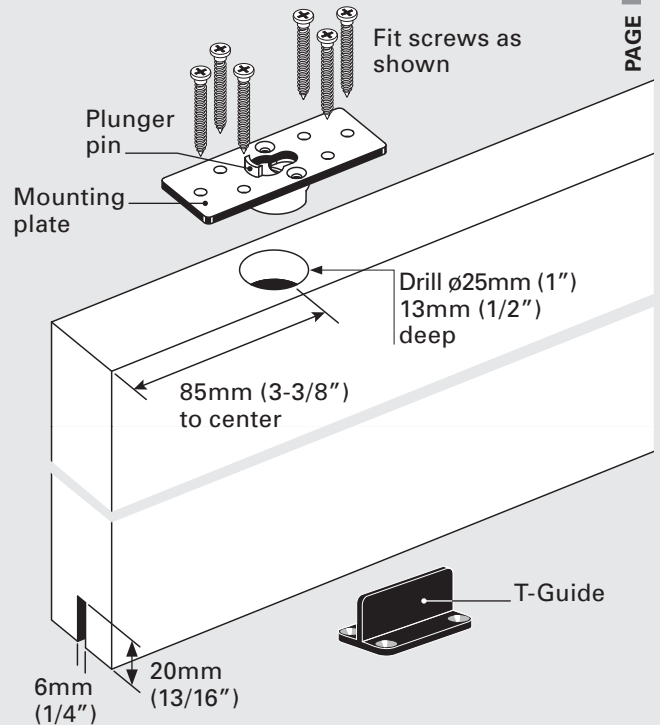
### 3. Fix the T-Guide.

Fix the T-Guide to the floor so that it is not visible when the door is in the pocket. The front edge of the T-Guide should sit flush with the final trim.

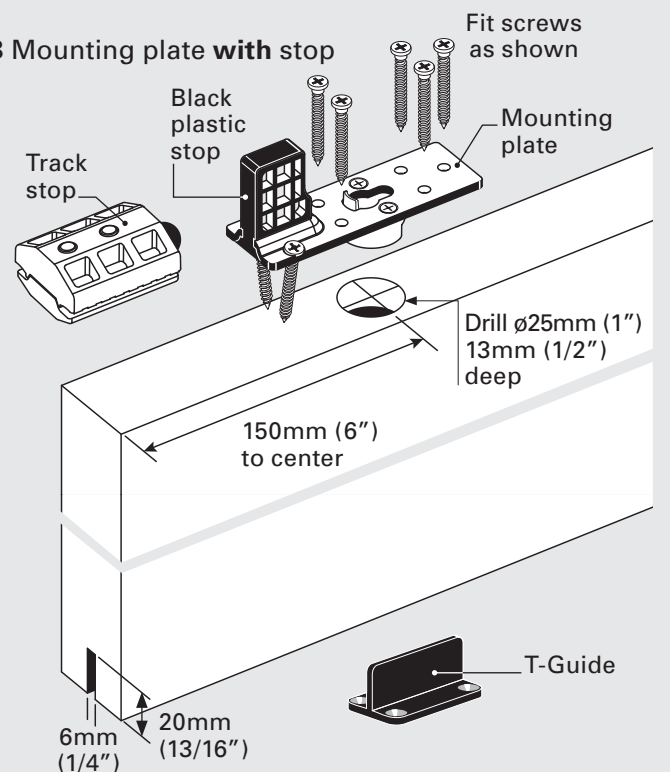
Go to page **2** (overleaf) →

## PREPARING DOORS

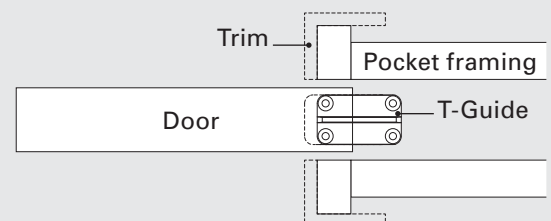
### A Mounting plate without stop



### B Mounting plate with stop

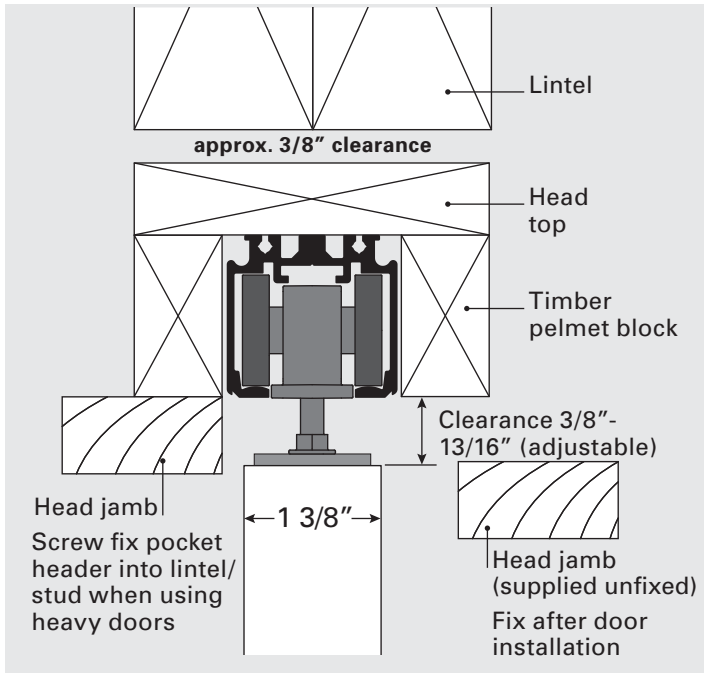


## SUGGESTED T-GUIDE PLACEMENT



#### 4. Fit the carriages.

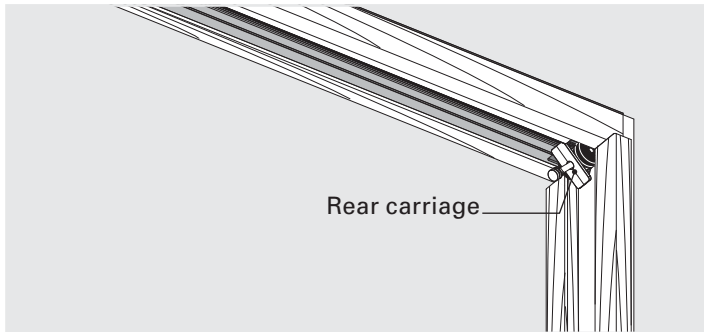
If the pocket frame has been supplied with head jambs fitted, remove the jamb from one side to allow access to carriages for mounting and vertical height adjustment.



Fit the carriages (**A**, **B** or **C**).

#### A. Standard M6/M8 (non-SofStop)

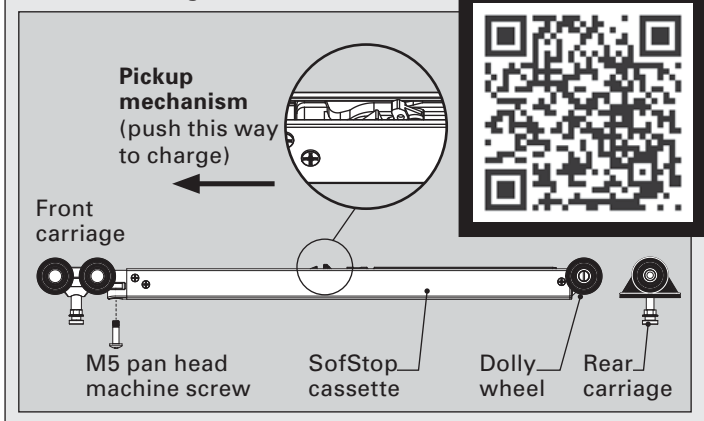
Insert the carriages into the track through the notched end, taking care not to damage the wheels on the sharp edge of the track.



#### B SofStop® Single (Soft Close)

The single SofStop mechanism fits together as shown below. **Push pickup mechanism in the direction shown to charge it.**

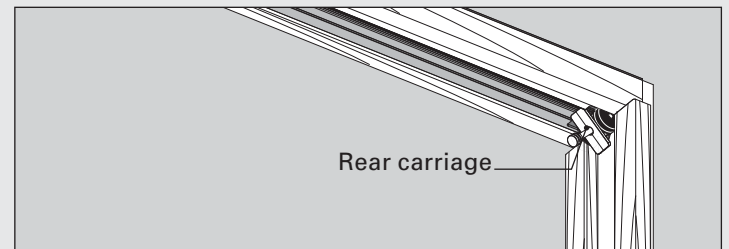
**Watch Video:**  
SofStop Installation and Trouble Shooting Tips



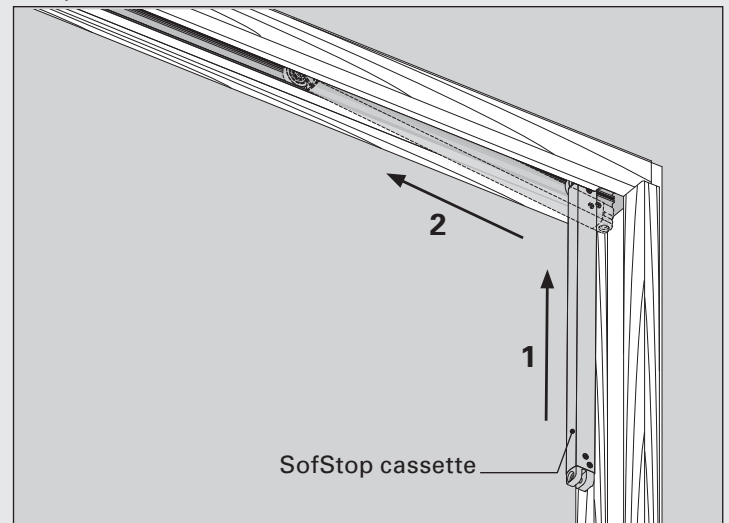
#### B SofStop® Single (Soft Close)

To load the SofStop mechanism into the track:

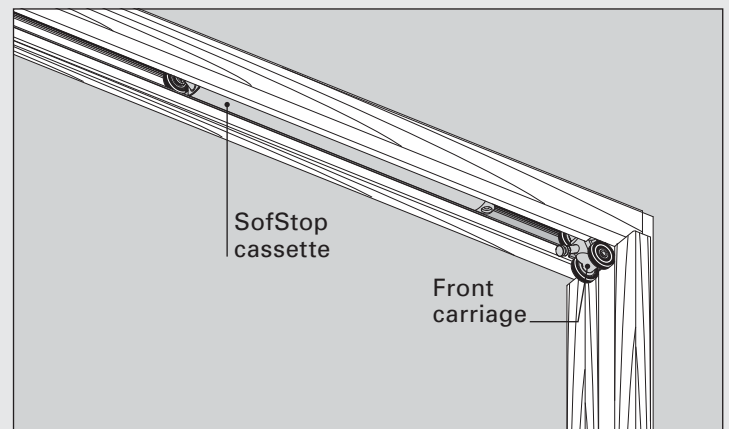
a) Insert the rear carriage in from the notched end of the track.



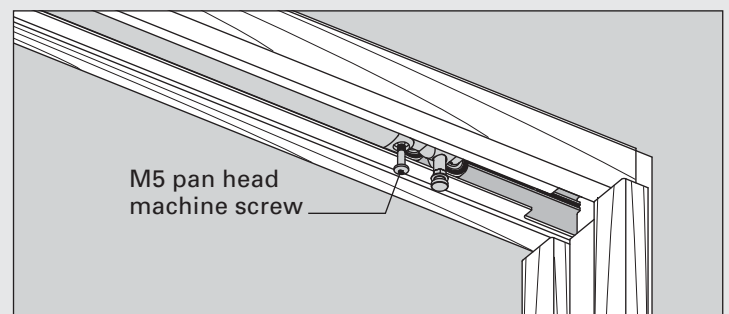
b) Insert the cassette into the notched end of the track, dolly wheel first, ensuring that the pickup mechanism is facing up.



c) Slide the front carriage into the track with the tow bar facing into the pocket.



d) Secure the carriage to the cassette with the M5 pan head machine screw. Tighten with a #2 Phillips drive.



**C SofStop® Twin (Open & Close)**

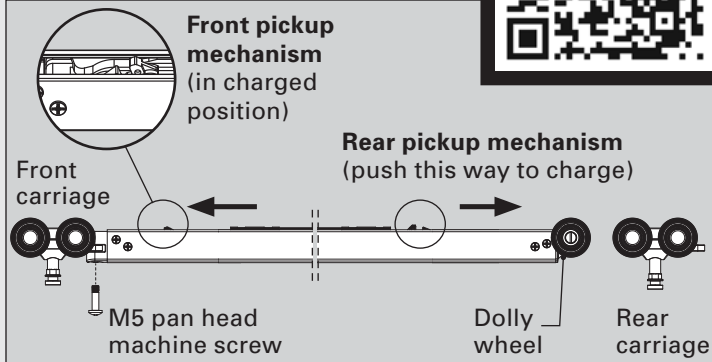
**Watch Video:**

SofStop  
Installation  
and Trouble  
Shooting Tips



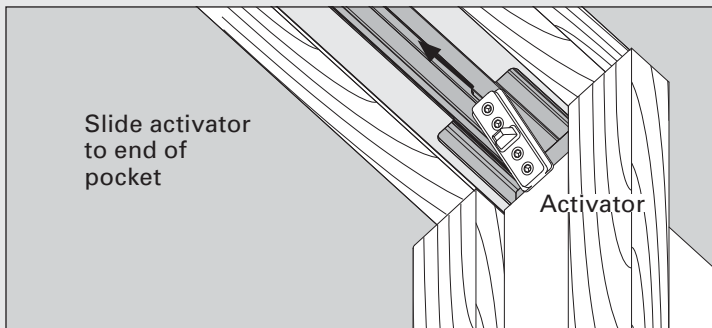
**IMPORTANT: DO NOT DRYWALL THE POCKET UNTIL THE SOFSTOP MECHANISM HAS BEEN INSTALLED AND TESTED.**

The twin SofStop mechanism fits together as shown below. **Push front and rear pickup mechanisms in the direction shown to charge them.**

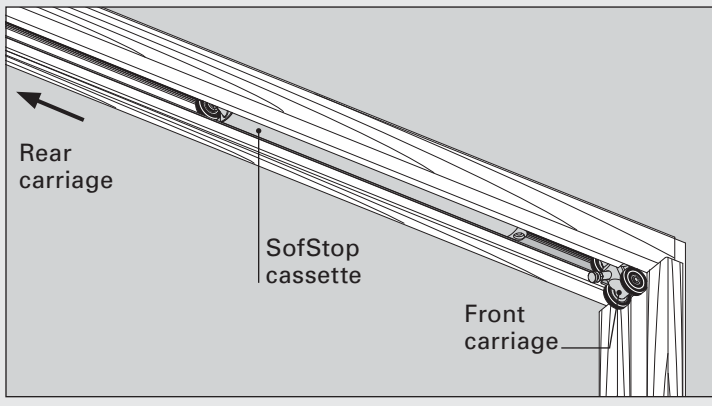


To load the SofStop mechanism into the track:

- a) Insert the first activator into the notch in the track and slide it to the end of the pocket. **Do not tighten the screws - this position is temporary.**



- b) Insert the rear carriage, cassette and front carriage using the same method as Single Sofstop **(B)**. Secure the carriage to the cassette.



**5. Hang the door.**

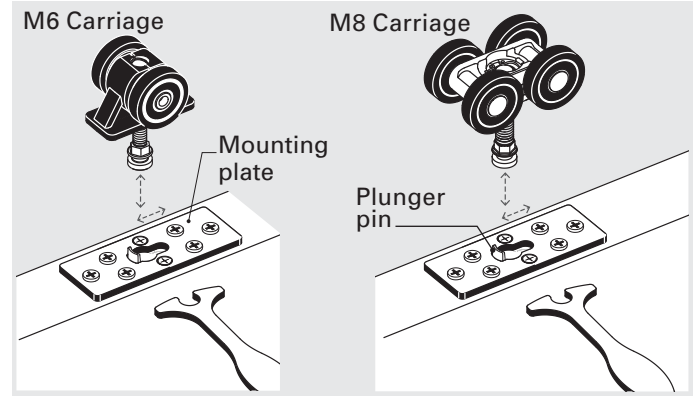
Position the carriages in the pocket opening approximately where the mounting plates on the door will be located when the door is in the closed position.

Slide the door over the T Guide and into the pocket.

Position the door underneath the carriages.

Raise the door up so that the round head of the wheel hanger shaft lines up with the keyhole shaped hole in the mounting plate.

5. Depress the plunger using the wheel hanger shaft head and slide sideways using the adjusting wrench until it snaps into locked position. Repeat for the other carriage.



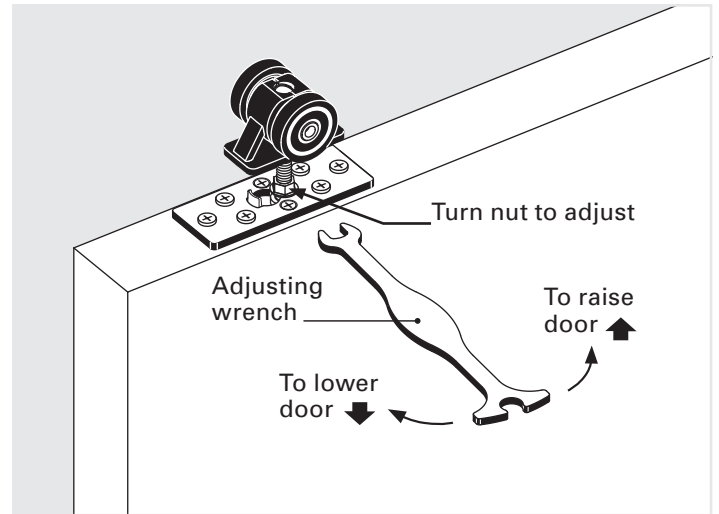
**6. Adjust the door height.**

When adjusting door height, the wrench should be horizontal to the nut.

Use the small end of the wrench supplied to adjust the door for height and plumb.

To **raise** door: Rotate wrench from **left to right**.

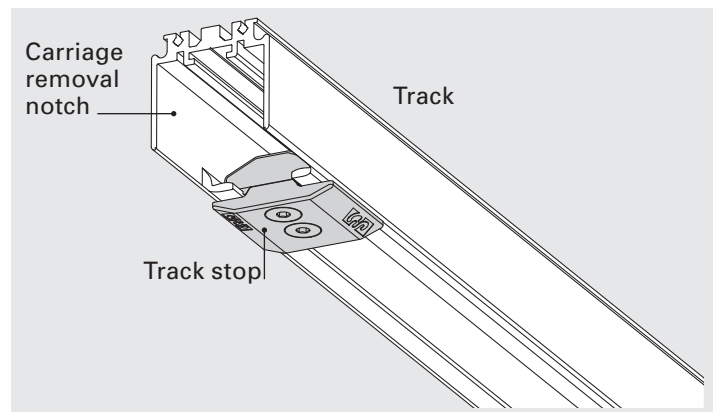
To **lower** door: Rotate wrench from **right to left**.



**Take care not to wind the hanger pin up too far on SofStop carriages as it will hit the activator in the track.**

**7. Insert the track stops (if required).**

Once the door is installed and running smoothly, insert the track stops into the track (if not already fitted) and tighten in the correct location.



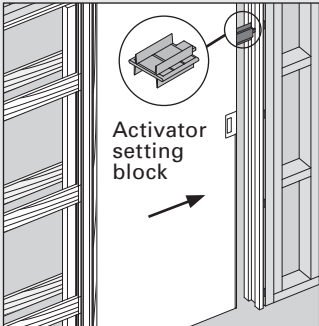
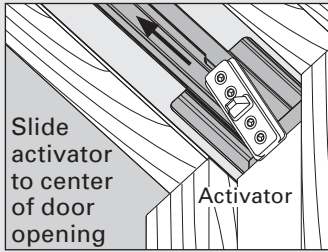
Go to page **4** (overleaf) →

### 8. Set the front activator position.

**Note:** *Single Soft Close* requires one front activator only. *Twin Soft Open & Close* requires two activators. One of them should already be in the track above the pocket, **Step 4C(a)**.

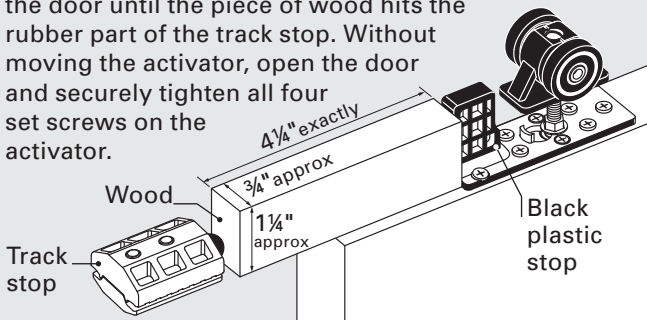
#### SofStop® Single & Twin

- Open the door and insert the front activator, moving it into the approximate center of the door opening.
- Position the activator setting block against the center of the closing jamb or finished wall and gently close the door onto it. The activator will slide along the track into the correct position.



**WARNING:**  
If the door soft closes, but does not come to a stand still on a strike jamb, closing jamb or track stop, you risk breaking the hook on the soft close mechanism.  
If you use the activator setting block correctly this will be avoided.

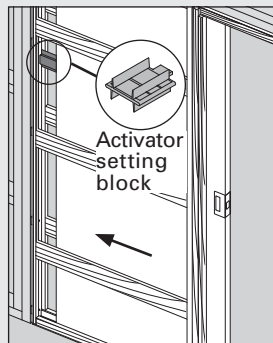
- Without moving the activator, open the door and securely tighten all four set screws.
- Mounting Plate with Stop:** To set the activator position in the track when using track stops, cut a piece of wood to 4-1/4" and insert it above the door instead of using the activator setting block. Make sure the piece of wood is hard up against the black plastic stop on the mounting plate, then slowly close the door until the piece of wood hits the rubber part of the track stop. Without moving the activator, open the door and securely tighten all four set screws on the activator.



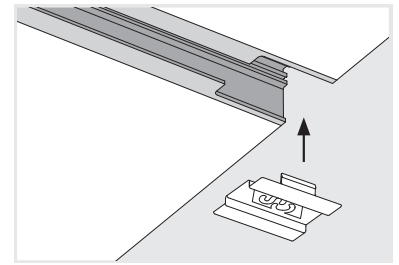
#### SofStop® Twin ONLY

### 9. Set rear activator position.

- Close the door and move the rear activator into the approximate center of the pocket. **Do not tighten set screws.**
- Position the activator setting block inside the back stud and gently open the door onto it. The activator will slide along the track into the correct position.
- Close the door and remove the activator setting block. Without moving the activator, tighten all four set screws.



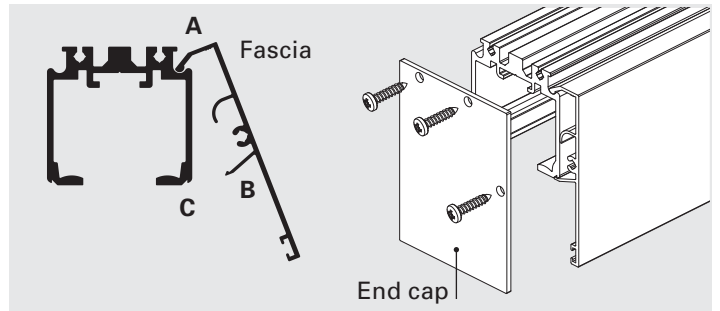
**10. Refix the head jamb** once door has been mounted and desired door clearance is achieved.



**11. Insert the track notch cover** (if required).

**12. Attach the fascia and end caps** (if required).

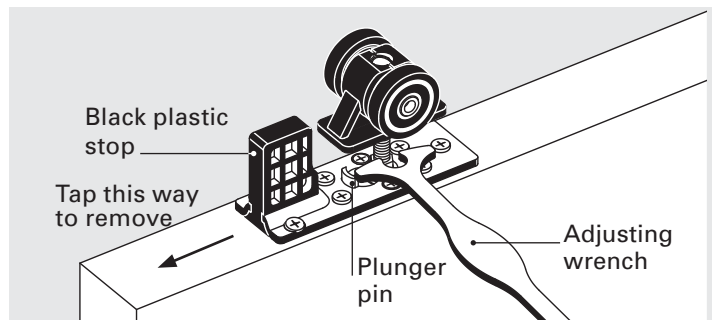
Remove protective tape from fascia if applied. Insert top leg of fascia (A) into the recessed groove at the top of the track extrusion. Push down firmly until middle leg (B) clips into groove (C) along the bottom of the track extrusion. Screw end caps into screw tubes inside track and fascia extrusions as shown using screws provided.



**13. If you need to remove the door**

(for painting, repairs etc). Fit the club end of the adjusting wrench over the hexagonal nut at the bottom of the hanger pin. Use the extended part of the wrench to press down the plunger pin that protrudes up from the mounting plate. Once this plunger is fully depressed slide the wrench sideways towards the plunger pin. The whole carriage (including the shaft) will now disengage from the mounting plate. It is not always easy to slide the wrench sideways. You may need to relieve the door's weight by putting a wedge between door and floor.

**Mounting plates with stops:** Remove the black plastic stop that is tightly fitted into the mounting plate by tapping it out in the direction shown using a hammer and drift.



**Cavity Sliders USA Inc.**  
548 Finney Ct, Gardena, CA 90248  
Phone: (888) 466 0030  
Fax: (310) 769 5824  
[info@cavitysliders.com](mailto:info@cavitysliders.com)

**CavitySliders™**  
The Pocket Door Experts  
[www.cavitysliders.com](http://www.cavitysliders.com)

© All copyright and other property in this document is reserved by Cavity Sliders USA Inc. Details and specifications are subject to change without notice. Whilst all care is taken to ensure the accuracy of all information, no responsibility will be accepted for any errors or omissions. Drawings are not to scale.

CS CAVITRACK™ (O.D. 2019). 01.2021 - ZG00262 / 61351/US