



California Faucets®

Morro Bay™

WALL LAVATORY

TO-V7702R-9

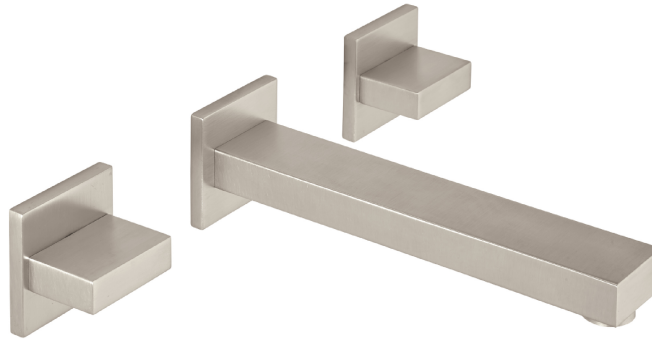
Features

- Over 28 finishes including 13 PVD finishes
- All brass construction
- 1.2 gpm (4.5 L/min) max flow rate
- Rough Valve (VL-R) sold separately

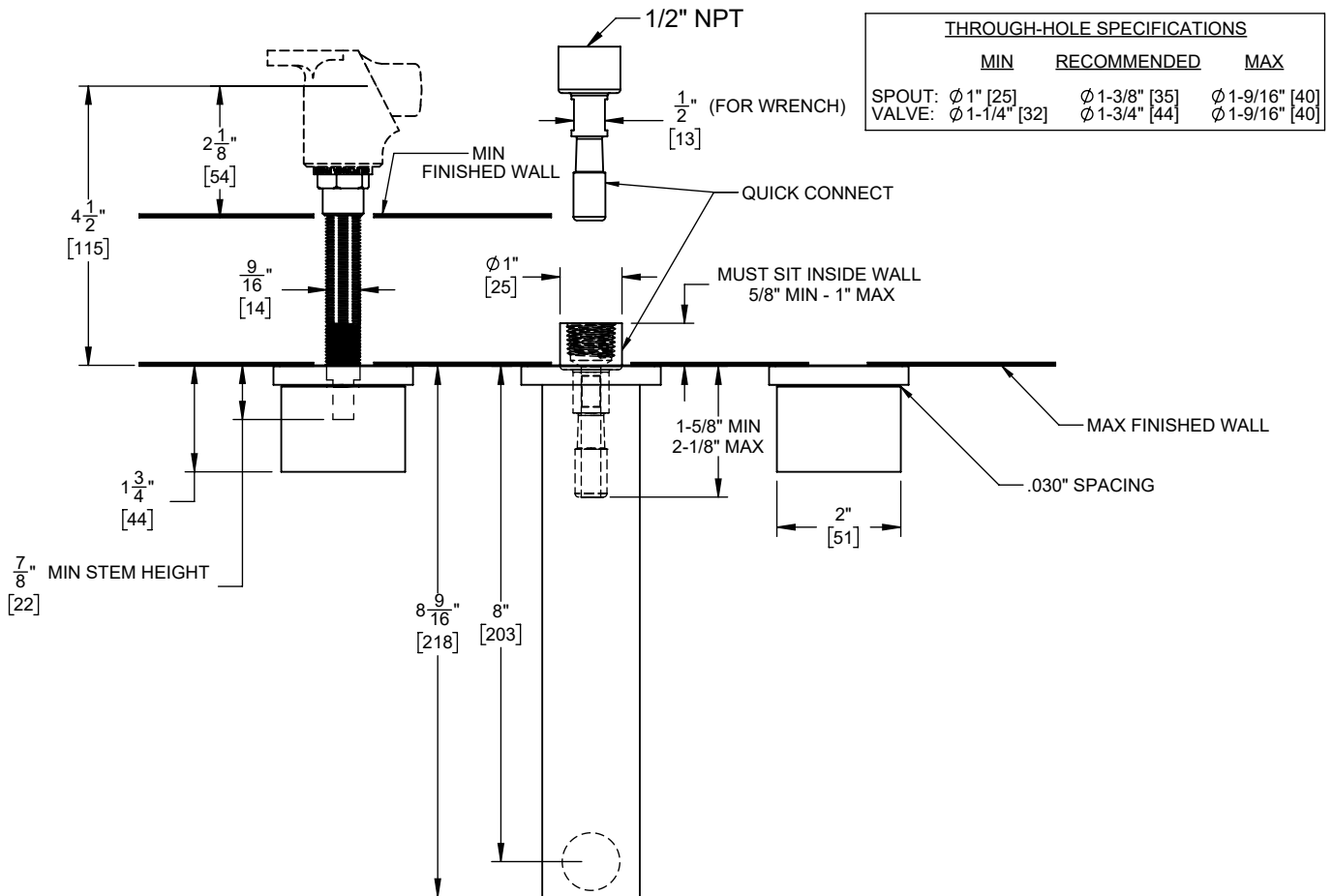
Codes/Standards Applicable

Product meets or exceeds the following:

- ASME A112.18.1/CSA B125.1
- NSF/ANSI 61 & NSF/ANSI 372
- CEC / DOE
- Commonwealth of MA
- EPA WaterSense High Efficiency Lavatory



TO-V7702R-9 shown



THROUGH-HOLE SPECIFICATIONS			
	MIN	RECOMMENDED	MAX
SPOUT: \varnothing 1" [25]		\varnothing 1-3/8" [35]	\varnothing 1-9/16" [40]
VALVE: \varnothing 1-1/4" [32]		\varnothing 1-3/4" [44]	\varnothing 1-9/16" [40]

SPECIFICATIONS SUBJECT TO CHANGE WITHOUT NOTICE

DIMENSIONS SHOWN TO NEAREST 1/16"
[DIMENSIONS SHOWN TO NEAREST 1mm]