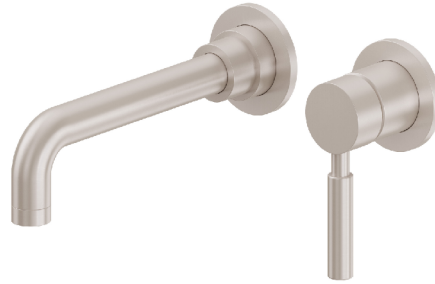




Features

- Available in 28 finishes including 13 PVD finishes
- All brass construction
- Single handle allows for volume & temperature control at any position
- 1.2gpm (4.5 L/min) max flow rate
- Rough valve (SHV-R) sold separately

TO-V6201-7
TO-V6201-9

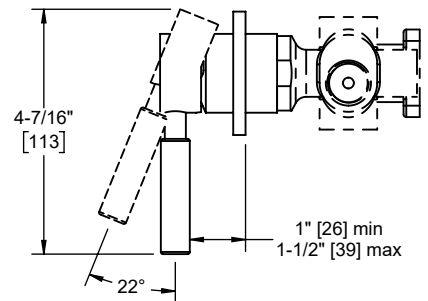
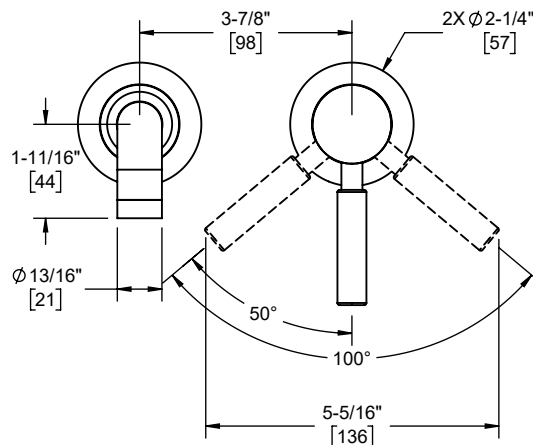
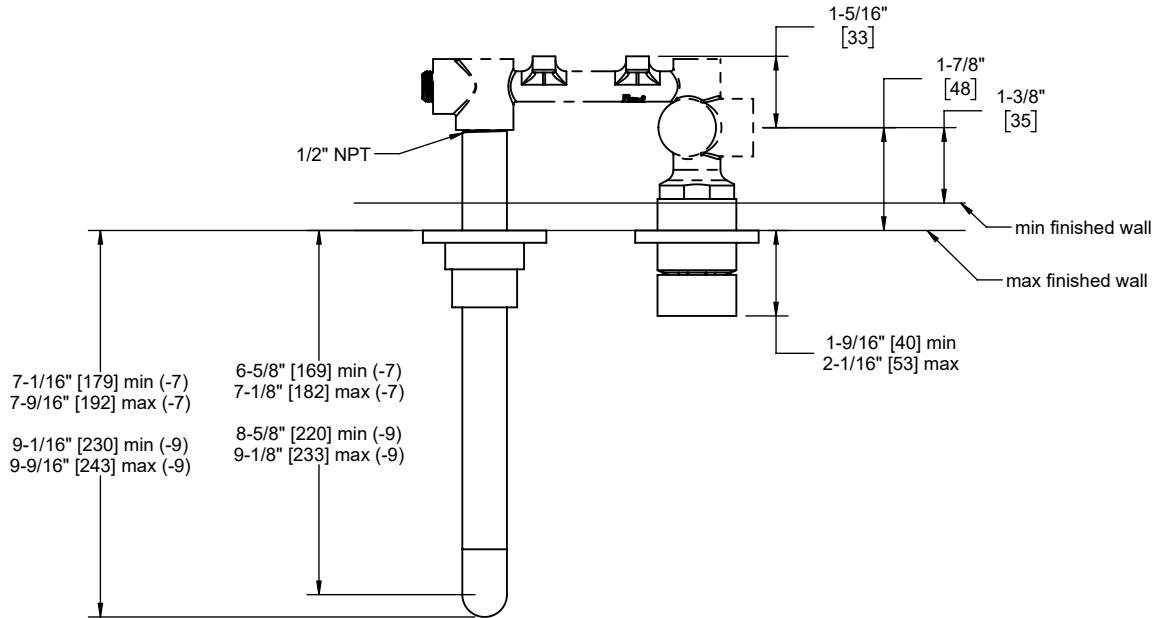


TO-V6201-7-SN shown

Codes/Standards Applicable

Product meets or exceeds the following:

- ASME A112.18.1/CSA B125.1
- NSF 61, NSF 372, CEC & DOE
- EPA WaterSense
- Commonwealth of MA
- ADA compliant



| Through-Hole Specifications | | | |
|-----------------------------|---------|-------------|---------|
| | Min | Recommended | Max |
| Spout: | Ø1" | Ø1-1/4" | Ø1-3/8" |
| | [25] | [32] | [35] |
| Handle: | Ø1-5/8" | Ø1-3/4" | Ø2" |
| | [41] | [44] | [51] |

Specifications subject to change without notice

Dimensions are inches, rounded to 1/16"
[Dimensions in brackets are mm, rounded to 1mm]