



California Faucets®

Venice™

WALL LAVATORY

TO-V4702-7

Features

- Over 28 finishes including 13 PVD finishes
- All brass construction
- 5-13/16" [148] spout wall to center
- 1.2 gpm (4.5 L/min) max flow rate
- Rough valve (VL-R) sold separately

Codes/Standards Applicable

Product meets or exceeds the following:

- ASME A112.18.1/CSA B125.1
- NSF/ANSI 61 & NSF/ANSI 372
- CEC & DOE
- Commonwealth of MA
- EPA WaterSense High Efficiency Lavatory

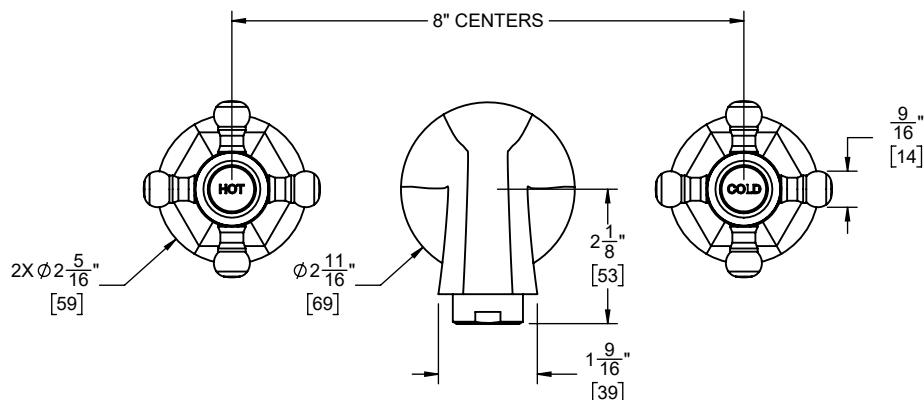
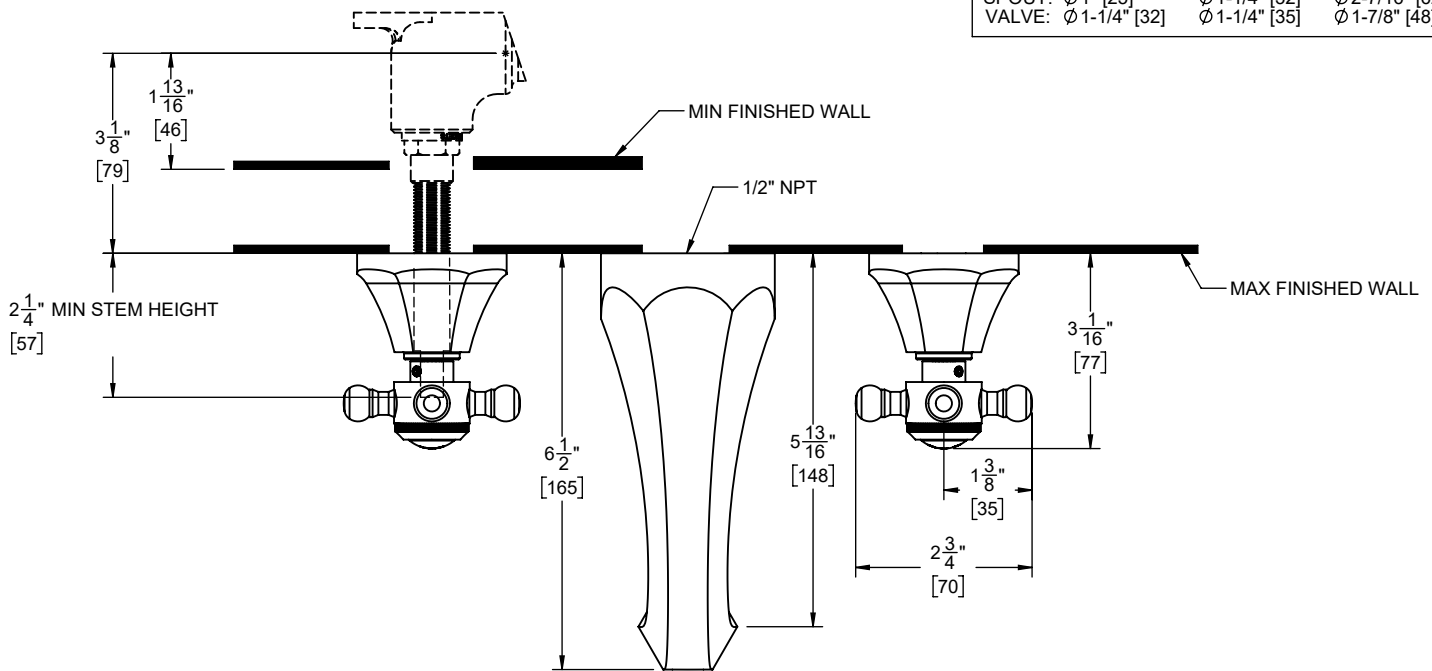


TO-V4702-7 shown



THROUGH-HOLE SPECIFICATIONS

	MIN	RECOMMENDED	MAX
SPOUT: \varnothing 1" [25]	\varnothing 1-1/4" [32]	\varnothing 2-7/16" [62]	
VALVE: \varnothing 1-1/4" [32]	\varnothing 1-1/4" [35]	\varnothing 1-7/8" [48]	



SPECIFICATIONS SUBJECT TO CHANGE WITHOUT NOTICE

DIMENSIONS SHOWN TO NEAREST 1/16"
[DIMENSIONS SHOWN TO NEAREST 1mm]