



California Faucets®

Monterey™

WALL LAVATORY

TO-V4602-9

Features

- Over 28 finishes including 13 PVD finishes
- All brass construction
- 8-1/2" [216] spout wall to center
- 1.2 gpm (4.5 L/min) max flow rate
- Rough valve (VL-R) sold separately

Codes/Standards

Product meets or exceeds the following:

- ASME A112.18.1/CSA B125.1
- NSF/ANSI 61 & NSF/ANSI 372
- CEC & DOE
- Commonwealth of MA
- EPA WaterSense High Efficiency Lavatory
- ADA compliant

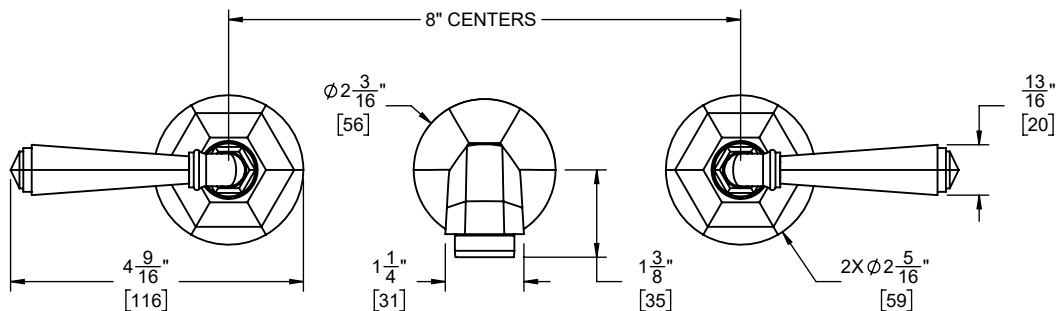
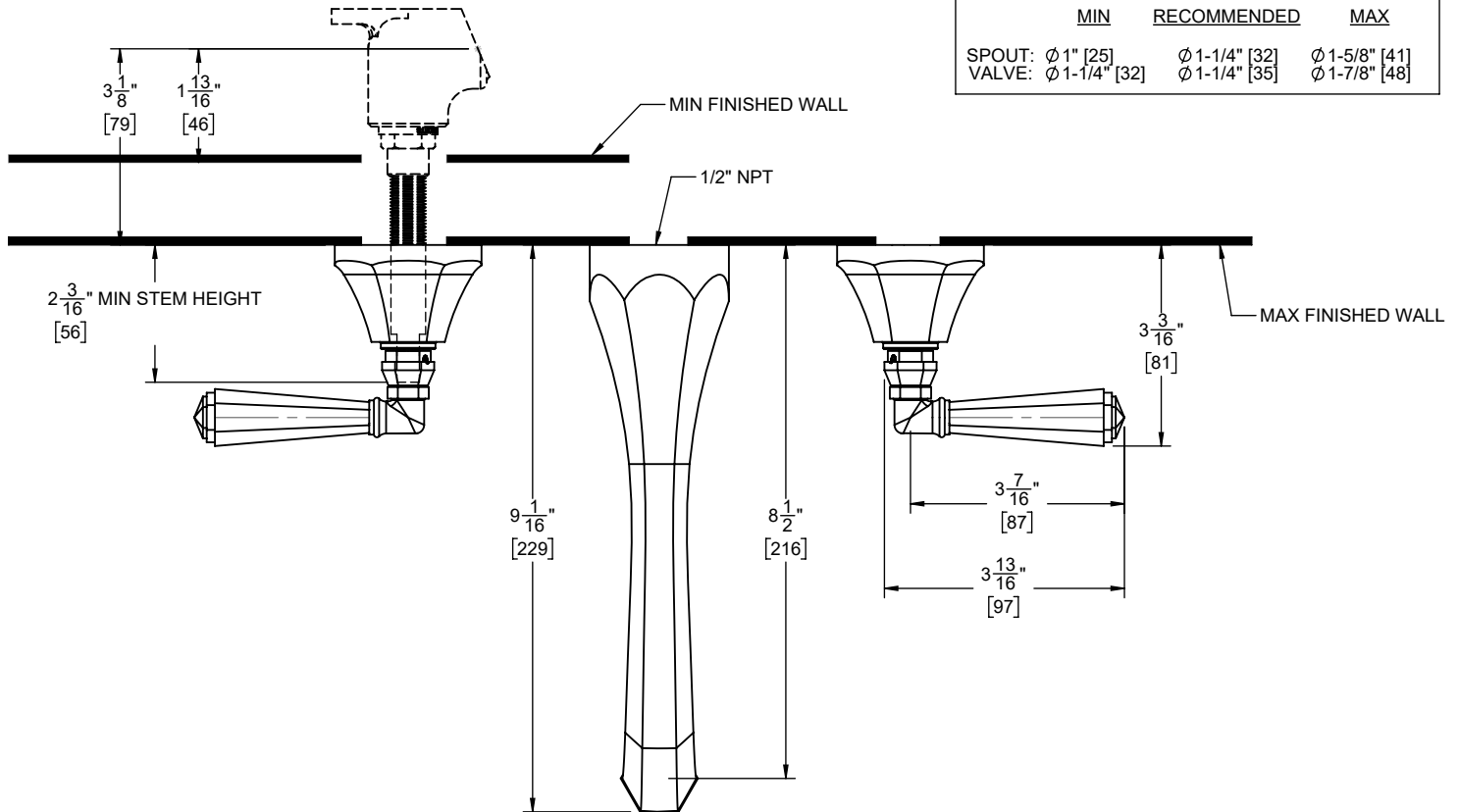


TO-V4602-9 shown



THROUGH-HOLE SPECIFICATIONS

	MIN	RECOMMENDED	MAX
SPOUT: \varnothing 1" [25]	\varnothing 1-1/4" [32]	\varnothing 1-5/8" [41]	\varnothing 1-7/8" [48]
VALVE: \varnothing 1-1/4" [32]	\varnothing 1-1/4" [35]		



SPECIFICATIONS SUBJECT TO CHANGE WITHOUT NOTICE

DIMENSIONS SHOWN TO NEAREST 1/16" [DIMENSIONS SHOWN TO NEAREST 1mm]