



California Faucets®

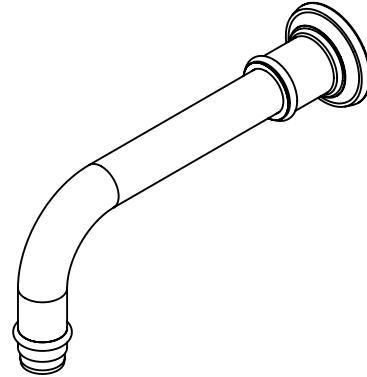
Miramar™

Deluxe Wall Tub spout

D-48

Features

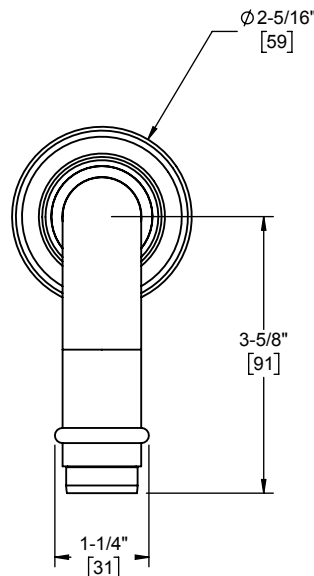
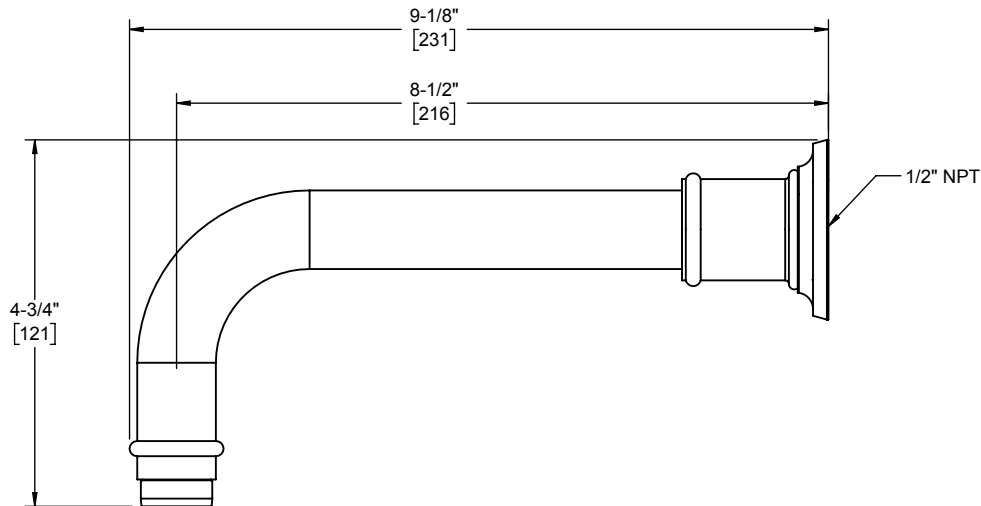
- Available in 28 finishes including 13 PVD finishes
- All brass construction
- Max flow rate: 10 gpm (37.9 L/min)
- For use with StyleTherm, 3-VR or 2-VR valves



Codes/Standards

Product meets or exceeds the following:

- ASME A112.18.1/CSA B125.1



Through-Hole Specifications	
Min	Recommended
Ø 1-1/4" [32]	Ø 1-3/8" [35]

Dimensions are inches, rounded to 1/16"
[Dimensions in brackets are mm, rounded to 1mm]

Specifications subject to change without notice