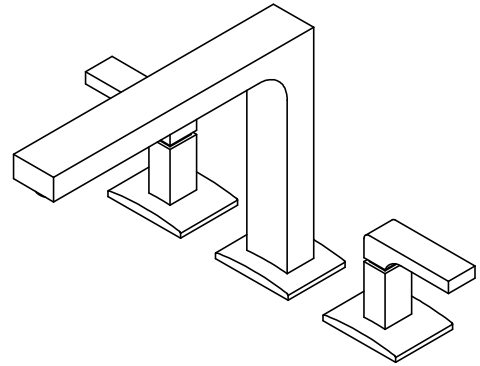


**7008**

**Features**

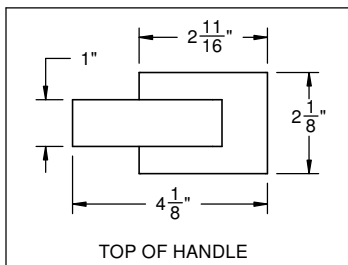
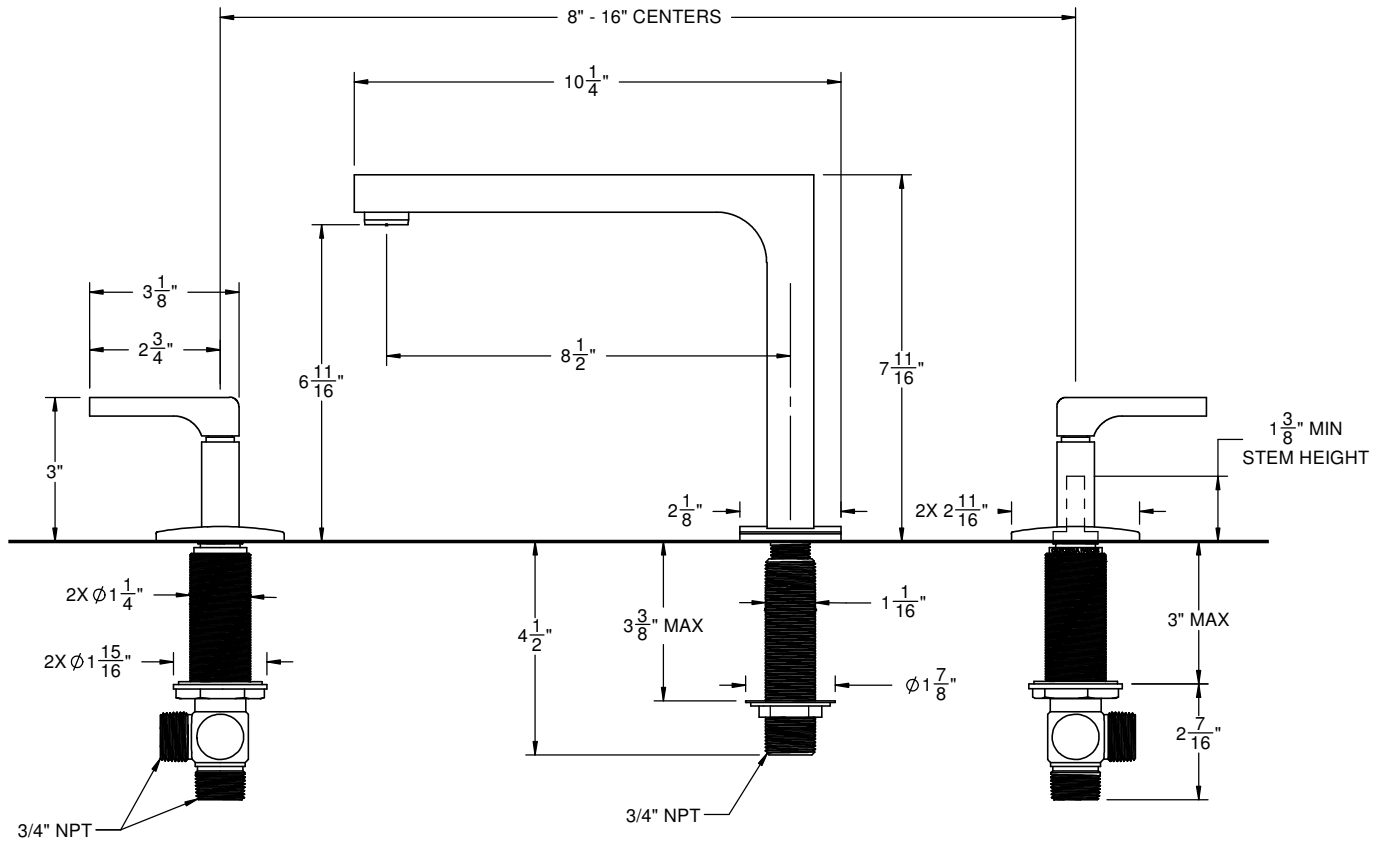
- 8-1/2" spout center to center
- 1/4 turn 3/4" high flow ceramic disc valves
- 15 gpm (56.8 L/min) max flow rate
- Solid brass construction
- Over 30 finishes including 15 PVD finishes



**Codes/Standards Applicable**

Product meets or exceeds the following:

- ASME A112.18.1/CSA B125.1
- ADA compliant



THROUGH-HOLE SPECIFICATIONS		
MIN	RECOMMENDED	MAX
SPOUT: $\varnothing 1-1/16"$	$\varnothing 1-3/8"$	$\varnothing 1-5/8"$
VALVE: $\varnothing 1-1/4"$	$\varnothing 1-3/8"$	$\varnothing 1-3/4"$

ALL DIMENSIONS SHOWN TO NEAREST 1/16"