

# INUA 6636

66" x 36" x 23"

In Inuit spirituality Inua means "everything that lives." INUA is the universal soul that unites all things in nature.



Standard deck

## PRODUCT NO.

DESCRIPTION	TMU	TUB
Standard 1 1/2" deck	BINLRD00T-XX	BINLRD00N-XX
Slim deck 1/2"	BINLRD10T-XX	BINLRD10N-XX

THERMOMASSEUR (TMU) Hydro-thermo massage • Air jet system	\$
Jets	50
1 heated backrest	Included
MiaPlus® Control	Included
Geysair®	Included
AromaCloud® <b>BAROMAC</b>	\$
Illuzio Chromatherapy <b>BCHRO6</b>	\$

TUB Soaker	\$
AromaCloud® <b>BAROMAC</b>	\$
Illuzio Chromatherapy <b>BCHRO6</b>	\$
WarmTouchShell® <b>BWTS</b>	\$
DOT control	Included with therapy

FEATURES			
Installation type			Drop-in
No. of bathers	↓	Inverted V	1
US gallons	62	Armrests	2
Imp. gallons	51	Grab bars (color match)	2
Raised seats	1	Comfort Cushion (specify color: Gray or Black)	1
STANDARD COLOR			
			Included
White 01	Biscuit 02		

## OPTIONS (UPCHARGE APPLICABLE)

### COLOR

		\$
Gray 05		

### FINISH

UltraVelour Matte Finish (White only) <b>BVEL</b>		\$
---	--	----

WASTE & OVERFLOW	16" x 35" <b>BOVER16-XX</b>	INTE-GRATED <b>BOVERIN-XX</b>
Chrome 07	\$	\$
White 01, Biscuit 02	\$	\$
Brushed Nickel 09, Polished Nickel 10	\$	\$
Oil-rubbed Bronze 11	\$	N/A
Black Chrome 12, Matte Black 19, Satin Brass 18	N/A	\$

### CONTROL (TMU only)

MiaMulti® <b>BMIAM2-XX</b>	\$
----------------------------	----

### CLEAR ACRYLIC GRAB BARS **BGBG10-XX**

With Chrome 07 or Brushed Nickel 09 inserts	\$
---	----

### IF REQUIRED BY CONSTRUCTION CODE OR INSTALLED WITH ITD

Brass waste & overflow kit* <b>BDRCOB</b>	\$
Brass waste kit* <b>BDRCB</b>	\$
16" x 35" Cable driven Brass waste & overflow kit <b>BOVERBR-XX</b>	\$

💡 Don't forget to specify the deck height (1/2" or 1 1/2").  
\* When ordered with integrated waste & overflow.

<b>TOTAL PRICE</b>	\$
--------------------	----



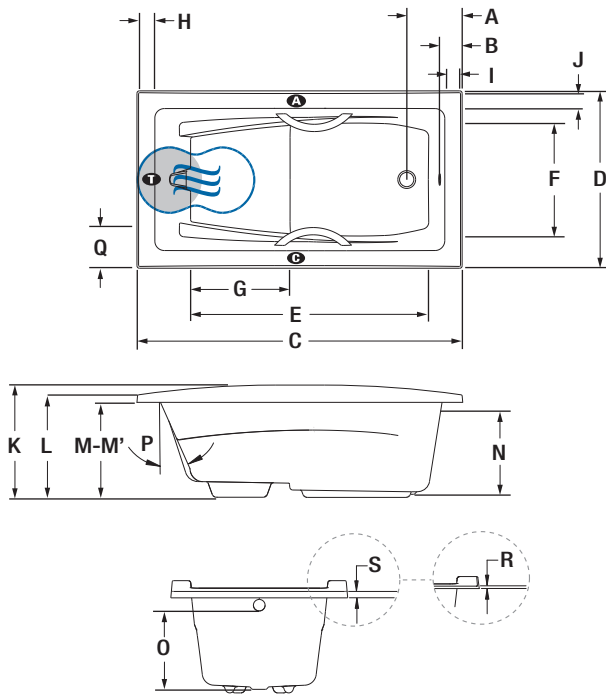
**INUA 6636**



Comfort Cushion (included)

**INSTALLATION**

**A** With the AromaCloud®, you must choose to install the control or the faucet on opposite side.



LETTER	DESCRIPTION	MEASURE
A	Outside edge to center drain	11 1/4"
B	Outside edge to overflow	4 1/2"
C	Total length	66"
D	Total width	36"
E	Bathing well length	48 1/8"
F	Bathing well width at foot area	22 7/8"
G	Raised seat length	20 1/8"
H	Deck width at backrest end	4 1/8"
I	Deck width at drain end	4 1/8"
J	Deck width	4"
K	Height from bottom of tub to top deck	23"
L	Total height to headrest	21"
M	Height from bottom of the tub to bottom of lip (std deck)	19 1/2"
M'	Height from bottom of the tub to bottom of lip (slim deck)	20 1/2"
N	Height from drain to center of overflow	17 1/8"
O	Maximum water level	15 3/8"
P	Slope of backrest	24°
Q	Minimum spout reach	8"
R	Slim deck minimum height	1/2"
S	Standard deck minimum height	1 1/2"

- A** AromaCloud® position
- B** Control position when factory-installed (Mia® or DOT)
- T** Turbine position (TMU)
- Indicates heated backrest (TMU)
- ☄ Indicates WarmTouchShell® position (TUB)

**TECHNICAL SPECIFICATIONS**

<b>Hot water supply required</b>	Should be 70% of water capacity of TUB or greater.
<b>Turbine</b>	Access to the pump must be at least 18" x 22". <b>Standard connection is 20 A, 120 V, 60 Hz</b> , dedicated line with a Ground-Fault Circuit Interrupter (GFCI). <b>For any additional option, a second line is needed 15 A, 120 V, 60 Hz</b> , dedicated line with a GFCI. Air vent necessary: 2" x 4" minimum.
<b>Therapeutic Comfort Cushion - INCLUDED</b>	- Made of ultraresistant urethane gel - Extremely comfortable and soft to the touch - Fully waterproof - Remarkably durable - Color available: Gray + Black

<b>Approx. shipping weight</b>	138 lbs
<b>Turbine power</b>	550 W
<b>Air heater</b>	600 W

WARRANTY	
Controls-LED-Geysair*	5 years
Bath & turbine*	20 years

\* Some restrictions apply | [www.bainultra.com/warranty](http://www.bainultra.com/warranty)

Our products must be installed by certified professionals only and according to our Owner's Manual as well as federal, provincial/state and local building codes and regulations ([www.bainultra.com/documentation/documentation](http://www.bainultra.com/documentation/documentation)).



The specifications shown indicate the outer edge dimension and the inside bathing capacity dimension measured at air jets' height. The manufacturer accepts a 1/4" [0.64 cm] variance. There are variations on each product and specifications are subject to change as we improve upon our product as required. The dimensions needed for site preparation and structure building will differ. BainUltra® assumes no responsibility for preparatory work done prior to the product being on site.