

# SHASTA 17" ABOVE COUNTER BASIN

Cat. No  
4-430



W: 16-7/8"  
D: 16-7/8"  
H: 5-3/4"

## Features:

- ▶ Oval above counter basin
- ▶ Vitreous china for durability
- ▶ No overflow
- ▶ Drain not provided
- ▶ Can be used with grid drain #5601 or umbrella drain # UD701 (Not included)

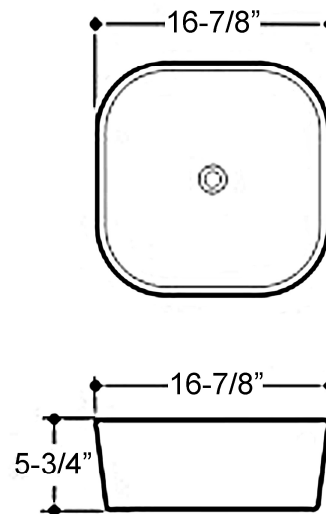
Colors:  
WH White

**Compliance Certification**  
Meets or exceeds the following specifications: ASME A112.19.2 2013 and CSA B45.1-13 for ceramic plumbing fixtures.

**\*Please do NOT drill hole without template or actual product.**

## Interior Dimensions:

Basin Interior: 16" x 16"  
Basin Depth: 4-1/2"



Dimensions of fixture are nominal and may vary within the range of tolerances established by AMSE Standard A112.19.2.2013 Dimensions and specifications subject to change without notice.