

HAVERHILL OVAL LAVATORY BOWL

Cat. No.
7-758



Features:

- ▶ Above Counter
- ▶ Oval design
- ▶ 16 Gauge Metal
- ▶ No overflow
- ▶ 1-5/8" drain fitting
- ▶ 1/4" Rim
- ▶ Flange measures 2-1/2" in diameter and 1/4" height
- ▶ Copper is a living finish and will patina over time

Finish:

AC Hammered Antique Copper

Compliance Certification
Material is consistent with
UNS C81100 Copper Casting
Alloy with respect to chemical
composition.

Top of Vessel:

W: 17-1/4"
D: 14-3/4"

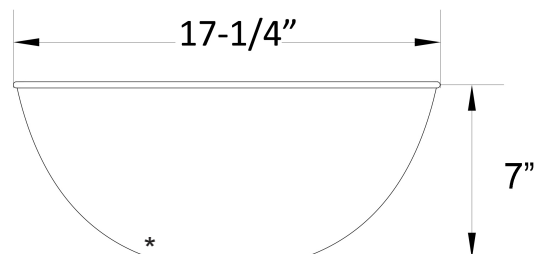
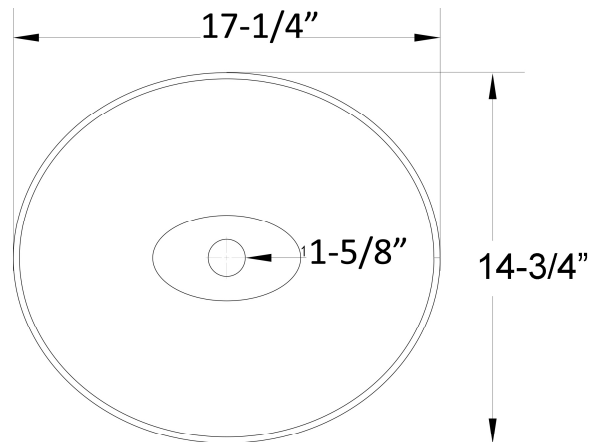
Above Counter Height: 7"

Bottom of Vessel:

W: 5-5/8"
D: 3-5/8"

Interior Dimensions:

Basin Interior: 16-5/8" x 13-7/8"
Basin Depth: 6-7/8"



Dimensions of fixture are nominal and may vary. Dimensions and specifications subject to change without notice.