

# EWAN RECTANGULAR ABOVE COUNTER BASIN

Cat. No  
5-323



Back-view

Top Dimension:  $19\frac{3}{4}$ " x  $17\frac{7}{8}$ "  
 Bottom Dimension:  $19\frac{3}{4}$ " x  $17\frac{7}{8}$ "  
 Above counter height:  $3\frac{1}{4}$ "



Maintenance Kit

## Interior Dimensions:

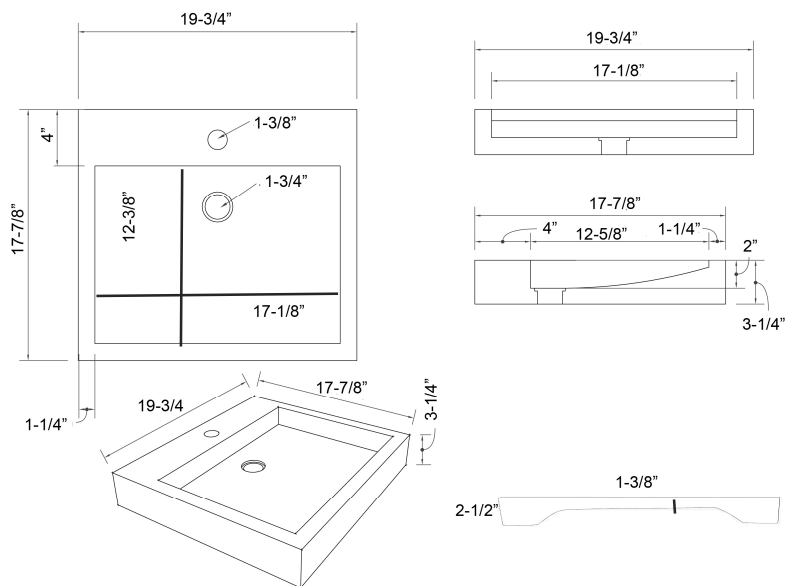
Basin Interior:  $17\frac{1}{4}$ " x  $12\frac{1}{2}$ "  
 Basin Depth: 2"

## Features:

- ▶ Seamless concrete construction
- ▶ Above counter basin
- ▶ Mold casted basin is finished by hand
- ▶ Maintenance Kit included
- ▶ Pre-drilled single faucet hole
- ▶ 3 Layer coating provides waterproof basin that guards against cracking or scratching
- ▶  $\frac{1}{4}$ " Rim
- ▶ No overflow
- ▶ Available in 3 colors
- ▶ To be used with Grid Drain # **5601** or Umbrella Drain #**UD701** (Not included)

## Colors:

**CGC** Copper Green  
**CDG** Dusk Gray  
**CVB** Vintage Brown



Dimensions of fixture are nominal and may vary slightly. Dimensions and specifications subject to change without notice.