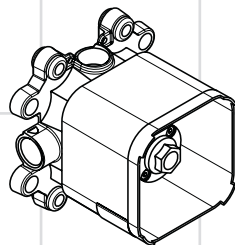


# AXOR<sup>®</sup>

**hansgrohe**

- EN** Installation / User Instructions / Warranty
- FR** Instructions de montage / Mode d'emploi / Garantie
- ES** Instrucciones de montaje / Manejo / Garantía

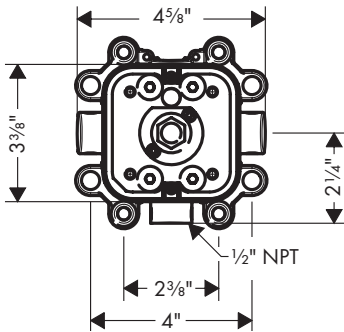
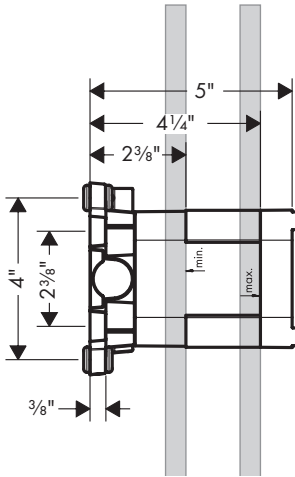


**Starck**  
10921181

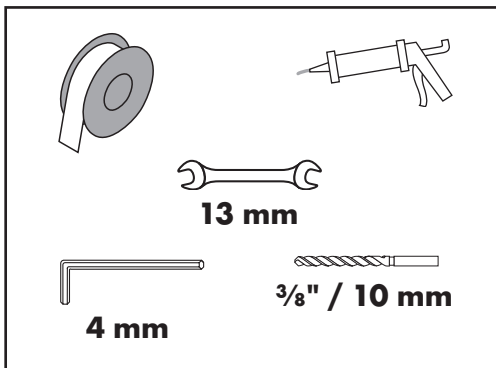
## Technical Information

Recommended water pressure	15 - 75 PSI
Max. water pressure	145 PSI
Recommended hot water temp.	120° - 140° F*
Max. hot water temp	176° F*

\*Please know and follow all applicable local plumbing codes when setting the temperature on the water heater.



## Tools Required / Outils Utiles / Herramientas Útiles



## Installation Considerations

- For best results, Hansgrohe recommends that this unit be installed by a licensed, professional plumber.
- Please read over these instructions thoroughly before beginning installation. Make sure that you have all tools and supplies needed to complete the installation.
- If installing with other components in the Starck Shower Collection, please plan your installation carefully. Read over the installation instructions for all components. **If you have any questions, please contact Hansgrohe Technical Service before beginning installation.**
- This rough is for use with Starck Shower Collection showerhead 10925xx1 (not included).
- To prevent scald injury, the maximum output temperature of the shower valve must be no higher than 120°F. In Massachusetts, the maximum output temperature can be no higher than 112° F.
- Keep this booklet and the receipt (or other proof of date and place of purchase) for this product in a safe place. The receipt is required should it be necessary to request warranty parts.

## Données techniques

Pression d'eau recommandée	15 - 75 PSI
Pression d'eau maximum	145 PSI
Température recommandée d'eau chaude	120° - 140° F*
Température maximum d'eau chaude	176° F*

\* Vous devez connaître et respecter tous les codes de plomberie locaux applicables pour le réglage de la température du chauffe-eau.

## À prendre en considération pour l'installation

- Pour de meilleurs résultats, Hansgrohe recommande que ce produit soit installé par un plombier professionnel licencié.
- Veuillez lire attentivement ces instructions avant de procéder à l'installation. Assurez-vous de disposer de tous les outils et du matériel nécessaires pour l'installation.
- Cette pièce intérieure requiert dispositif 10942xx1 (pas d'inclus).
- Si vous procédez à cette installation avec d'autres composants de la gamme Starck Shower Collection, préparez-vous bien avant de commencer. Lisez les instructions d'installation de tous les composants. **Si vous avez des questions, veuillez contacter l'assistance technique de Hansgrohe avant de commencer l'installation.**
- Cette pièce intérieure est conçue pour utilisation avec le pomme de douche 10925xx1 de la gamme Starck Shower Collection (non compris).
- Pour empêcher des blessures par ébouillantage, la température de sortie maximale du robinet de douche ne doit pas excéder 120°F. Au Massachusetts, la température de sortie maximale du robinet de douche ne doit pas excéder 112°F.
- Conservez ce livret et le reçu (ou une autre preuve sur laquelle figurent la date et l'endroit de l'achat) pour ce produit dans un endroit sûr. Le reçu est requis si vous commandez des pièces sous garantie.

## Datos técnicos

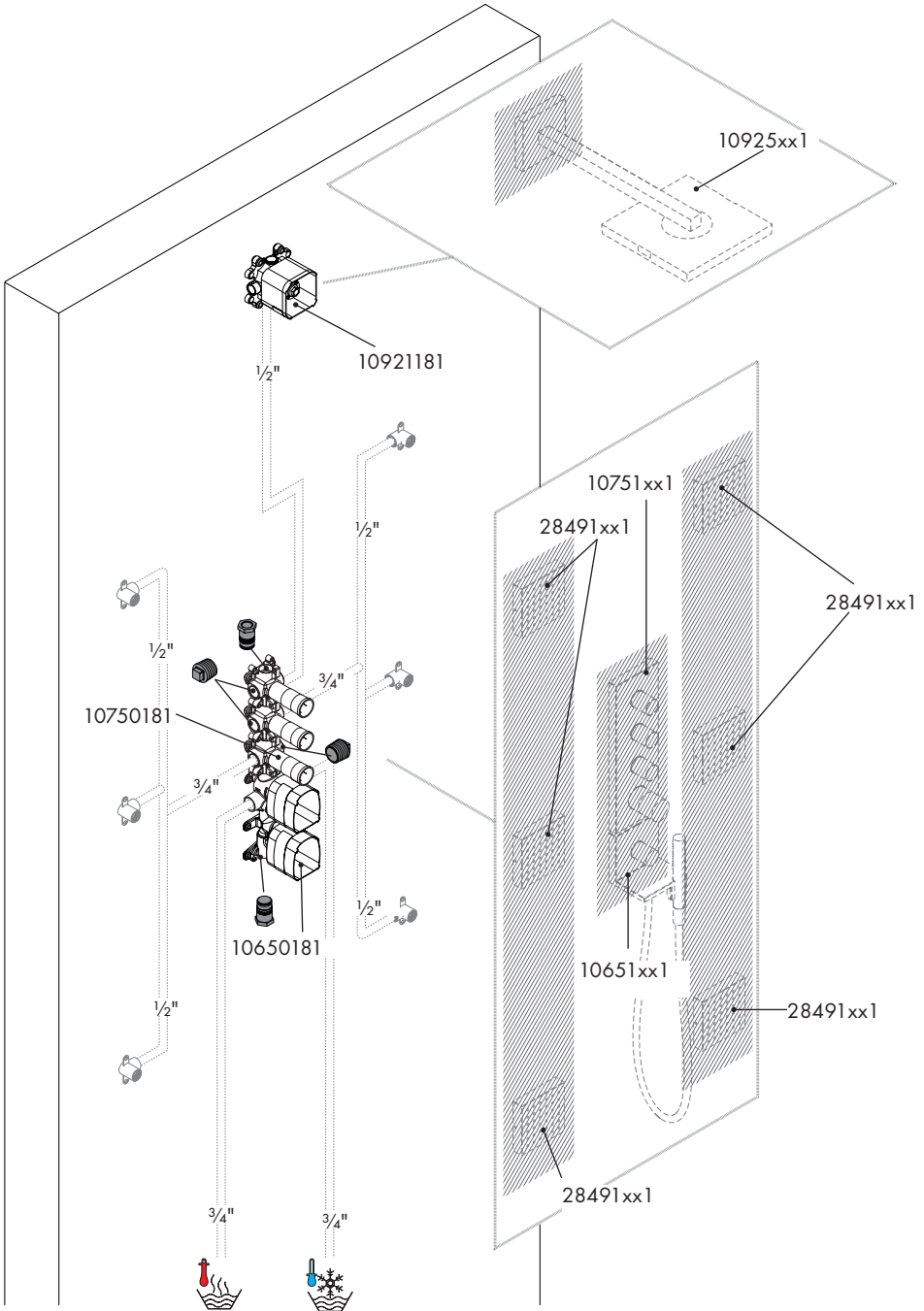
Presión recomendada en servicio	15 - 75 PSI
Presión en servicio max.	145 PSI
Temperatura recomendada del agua caliente	120° - 140° F*
Temperatura del agua caliente max.	176° F*

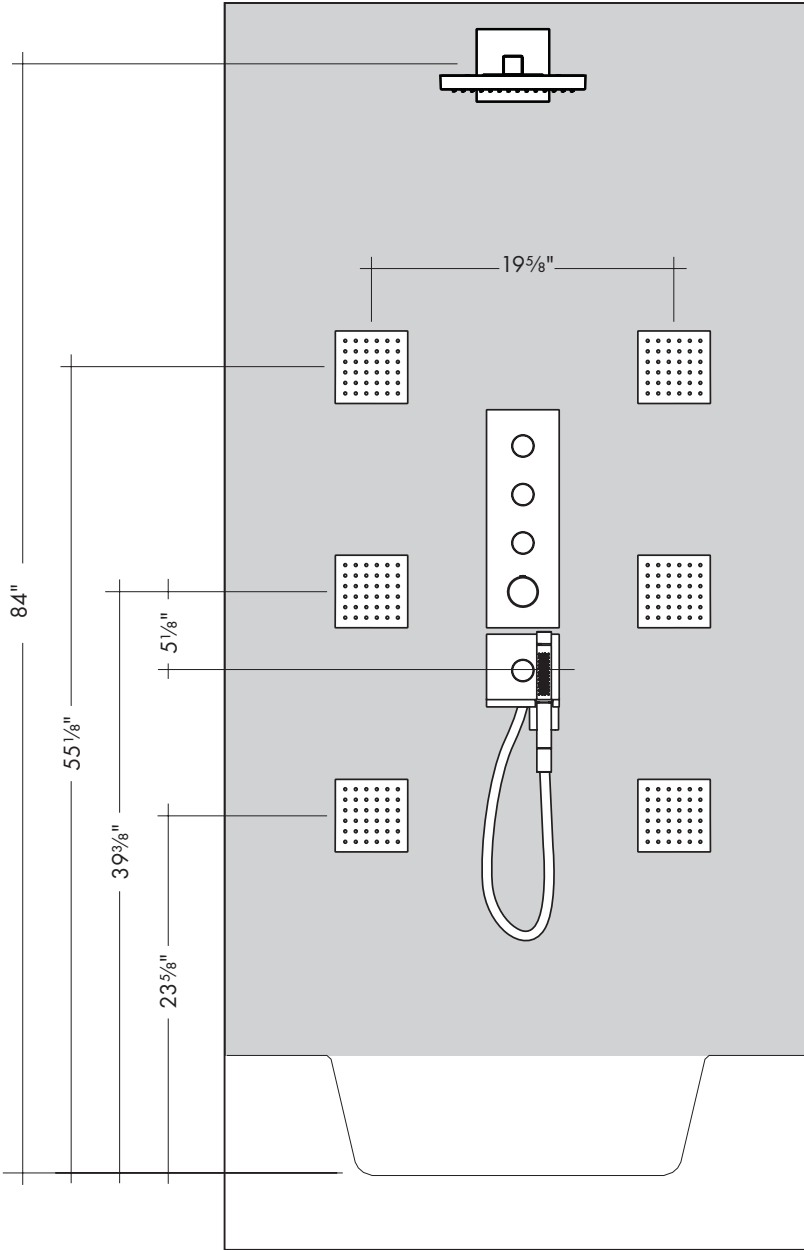
\* Debe conocer y cumplir todos los códigos locales aplicables para ajustar la temperatura del calentador de agua.

## Consideraciones para la instalación

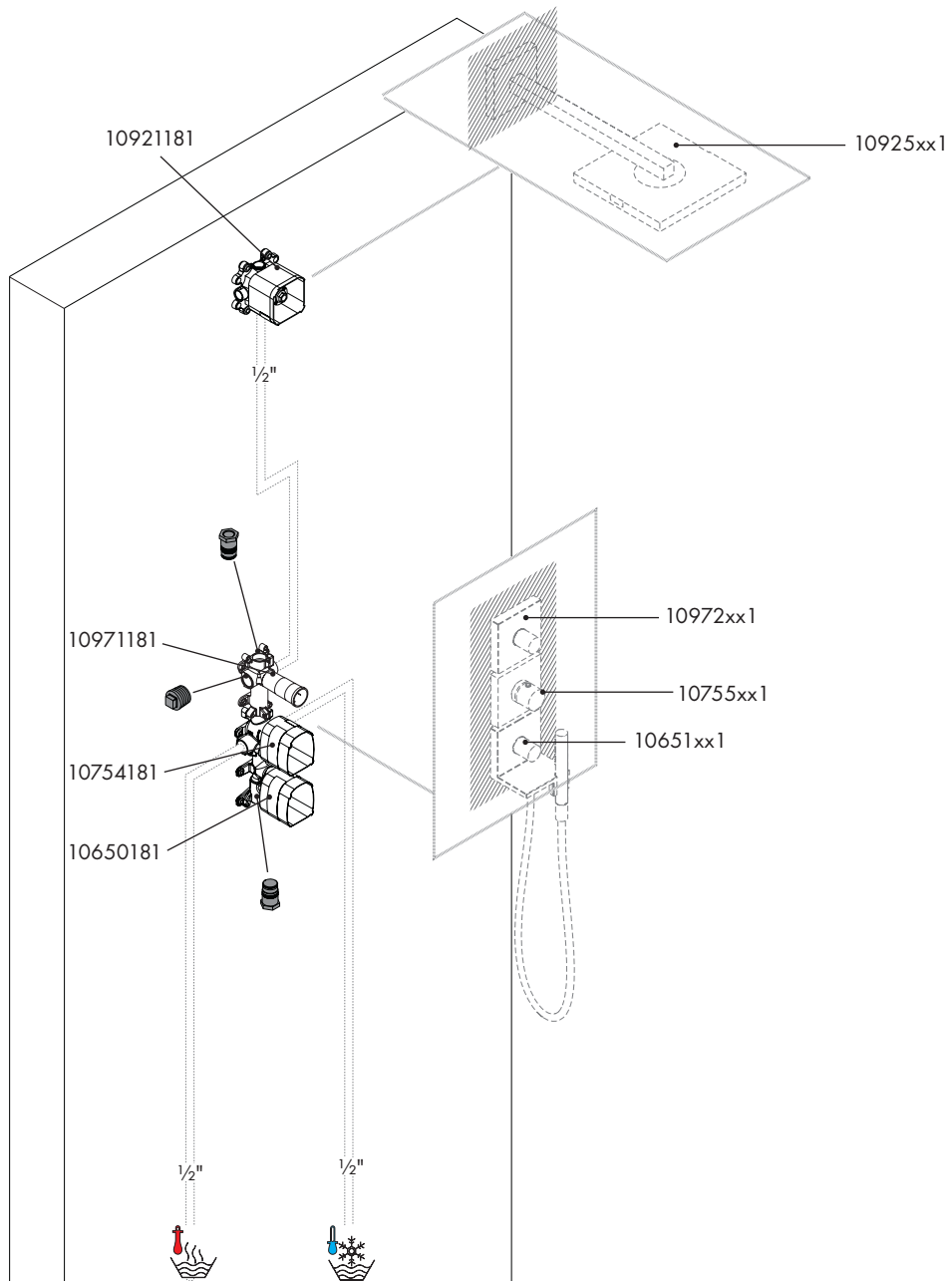
- Para obtener mejores resultados, la instalación debe estar a cargo de un plomero profesional matriculado.
- Antes de comenzar la instalación, lea estas instrucciones detenidamente. Asegúrese de tener las herramientas y los insumos necesarios para completar la instalación.
- La pieza interior de válvula requiere un caño 10942xx1 (no incluidos).
- Si la instalación se realiza con otros componentes en la Colección de duchas Starck, planifique la instalación cuidadosamente. Repase las instrucciones de instalación para todos los componentes. **Si tiene alguna pregunta, comuníquese con el Servicio técnico de Hansgrohe antes de comenzar la instalación.**
- Esta pieza interior se usa con la ducha cabezal 10925xx1 de la Colección de duchas Starck (no incluida).
- Para evitar escaldaduras, la máxima temperatura de salida de la válvula de la ducha no debe exceder los 120°F. En Massachusetts, la máxima temperatura de salida de la válvula de la ducha no debe exceder los 112°F.
- Mantenga este folleto y el recibo (u otro comprobante del lugar y fecha de compra) de este producto en lugar seguro. El recibo se requiere en caso de ser necesario solicitar piezas bajo garantía.

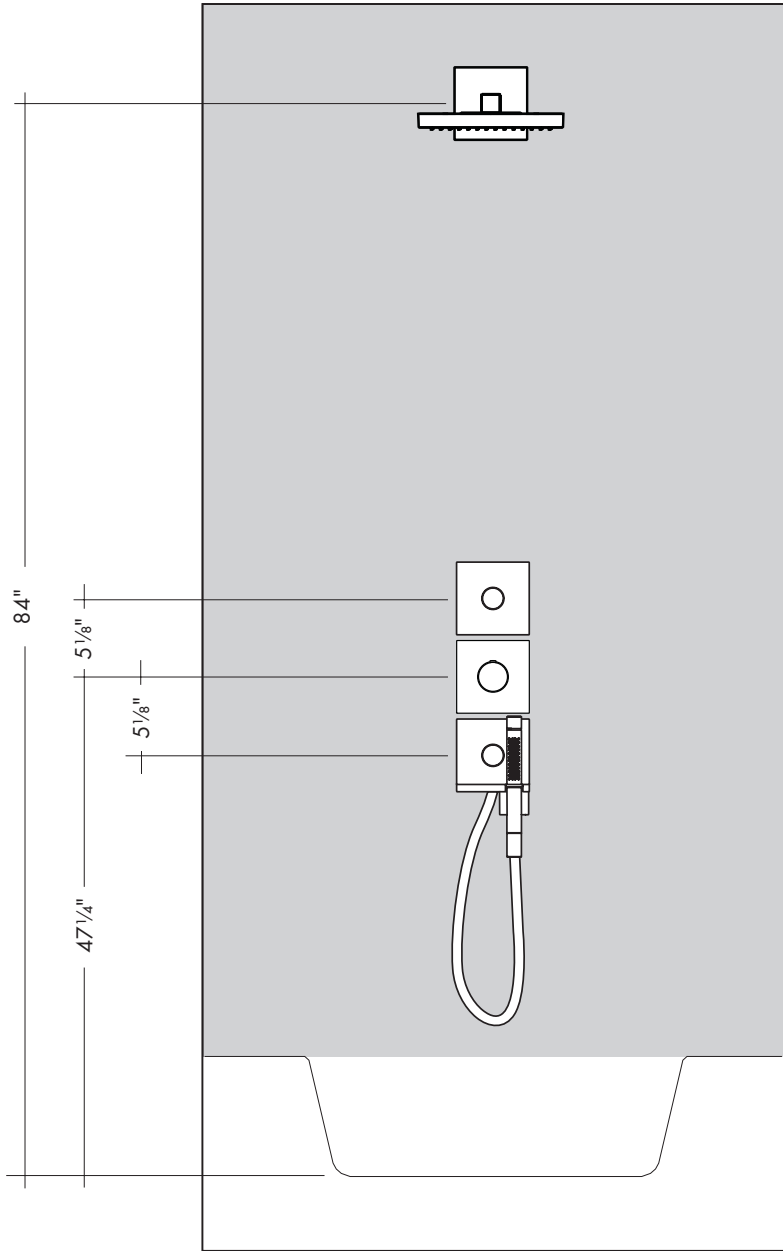
# Installation Suggestions / Suggestions d'installation / Sugerencias para la instalación



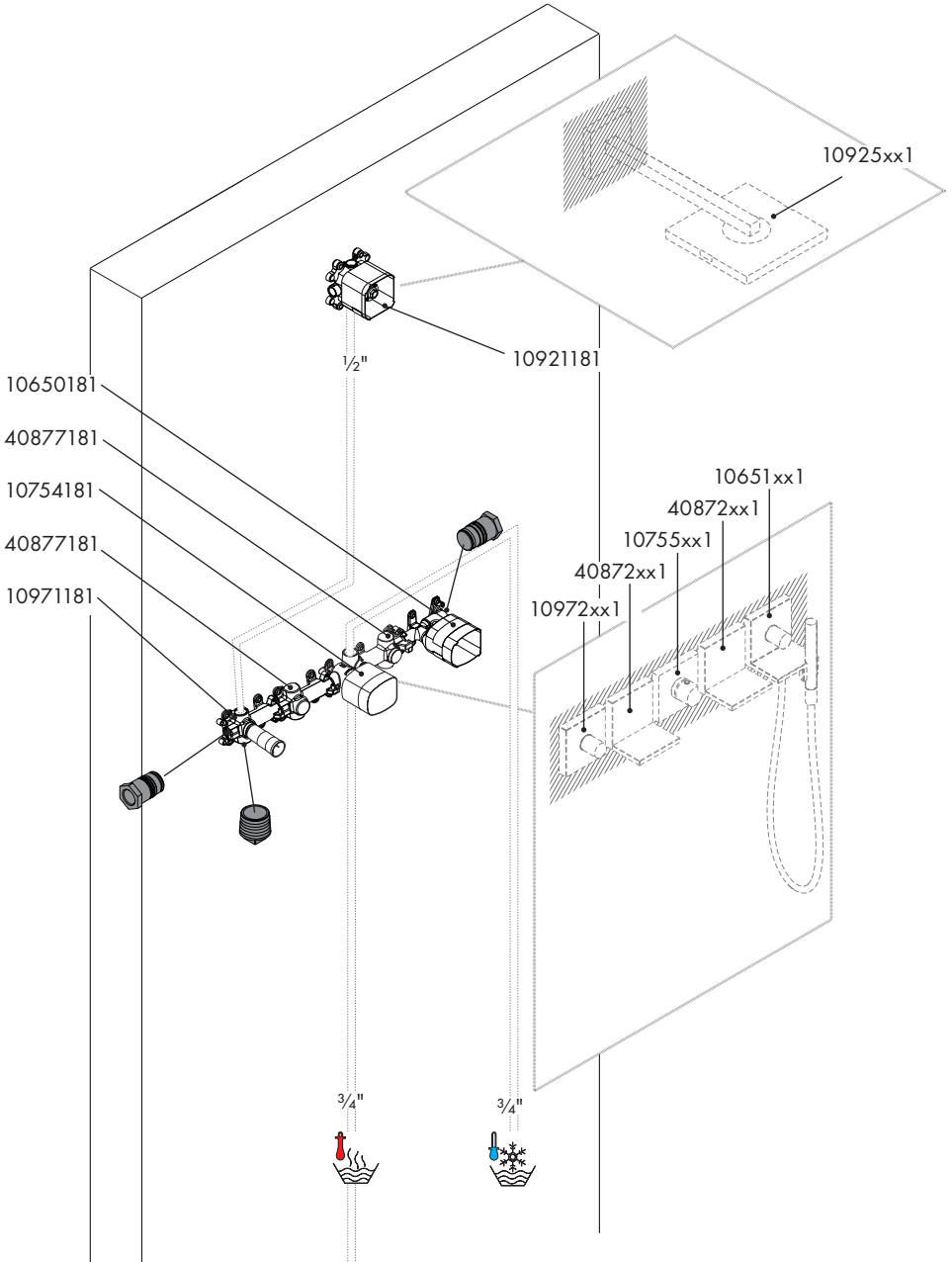


# Installation Suggestions / Suggestions d'installation / Sugerencias para la instalación

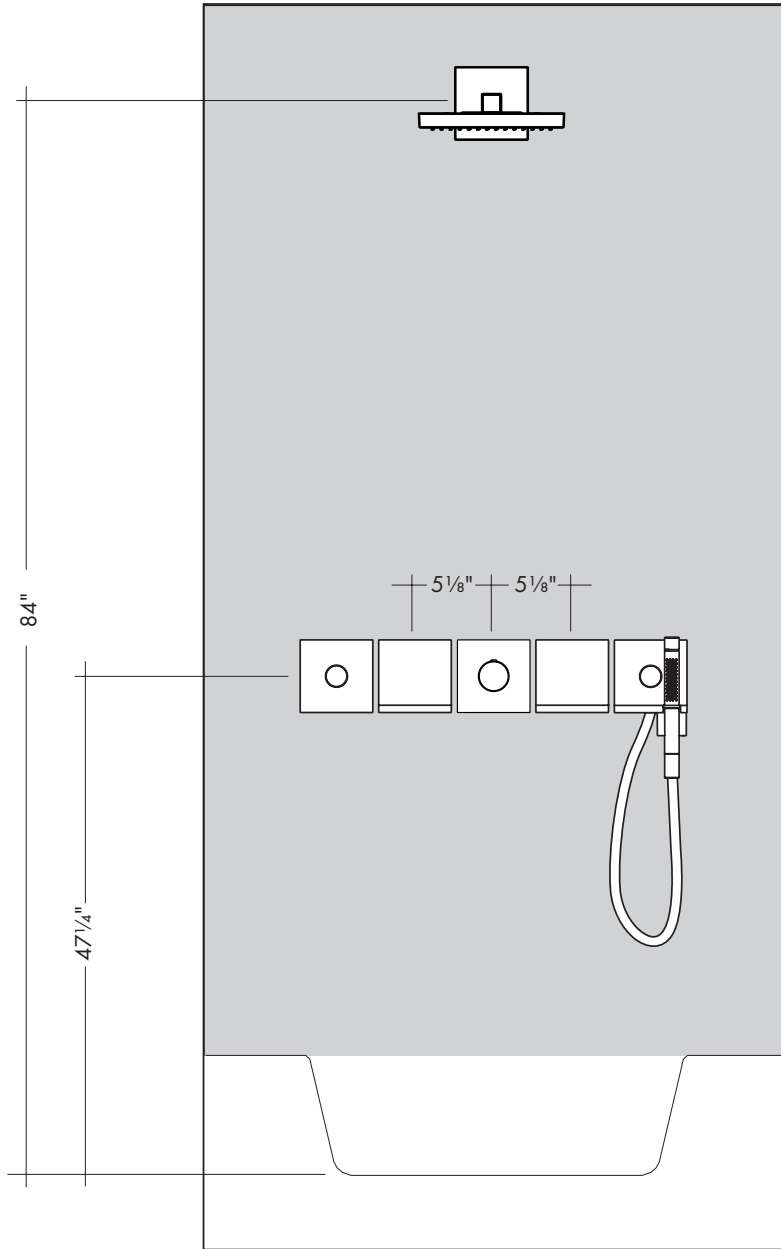




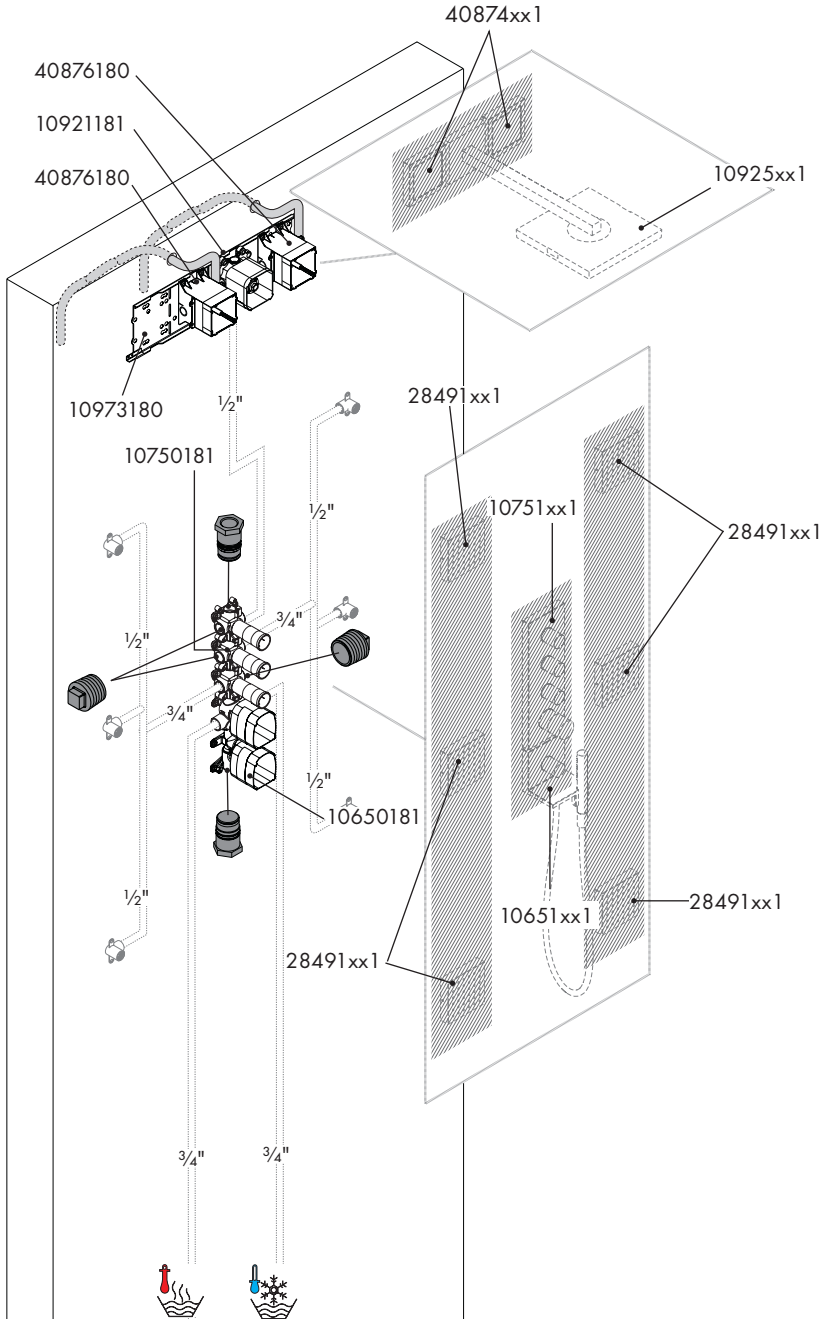
# Installation Suggestions / Suggestions d'installation / Sugerencias para la instalación

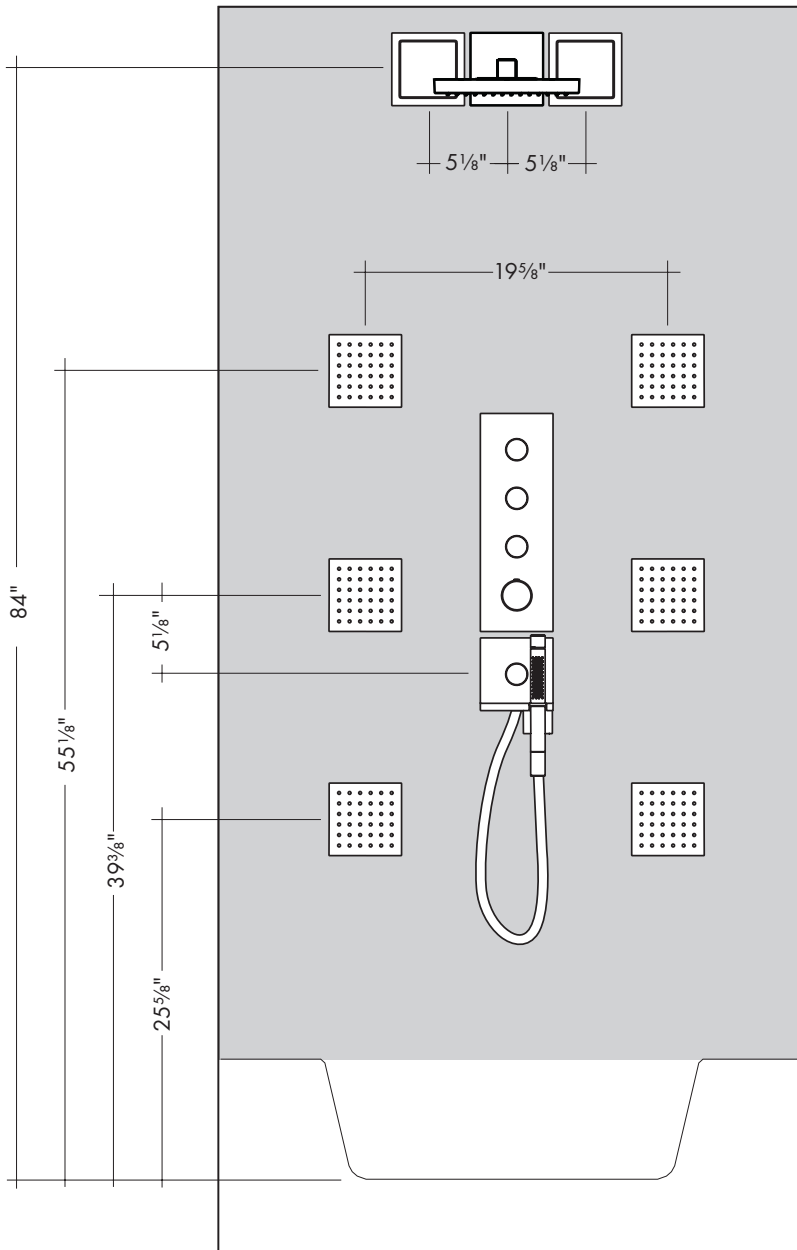




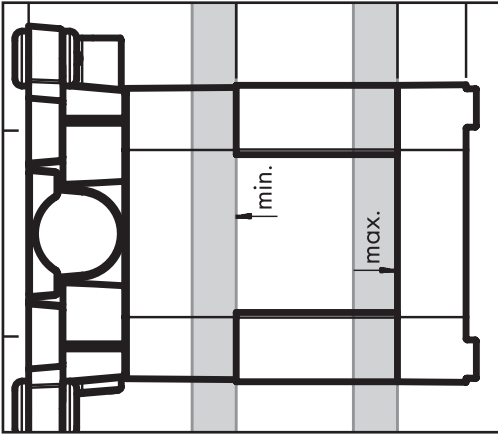


# Installation Suggestions / Suggestions d'installation / Sugerencias para la instalación





To insure correct fit of the showerhead, the outside surface of the finished wall must fall between the "min" and "max" markings on the plaster shield.

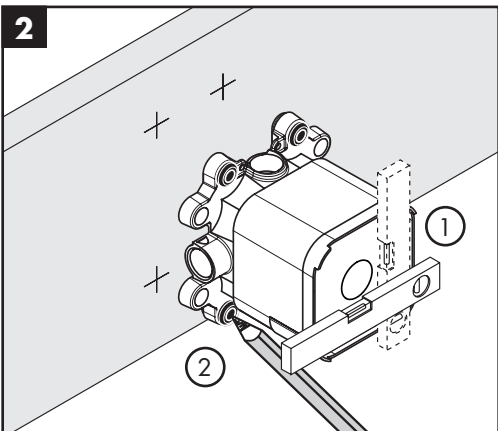
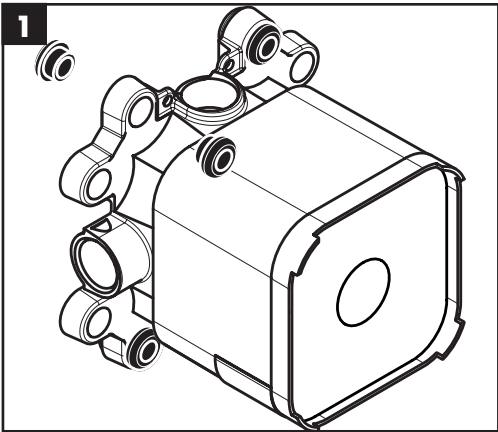


## Installation

Install the noise reducers.



*If installing with mounting plate 10973180, please turn to page 20 .*



Install a header board to support the rough.

Hold the rough against the header board at the installation position.

Make sure that the rough is level.

Mark the positions of the screw holes.

Pour que la pomme de douche s'ajuste de façon adéquate, la surface du mur fini doit se situer entre les marques « min » et « max » figurant sur les projecteurs de plâtre.

### Installation

Installez les atténuateurs de bruit.



*Si vous voulez installer ce produit qui utilise plaque de montage #10973180, s'il vous plaît voir la page 20.*

Installez un panneau.

Placez le pièce intérieure contre le panneau.

Assurez-vous que pièce intérieure est au niveau.

Marquez les positions des trous de vissage.

Para que la ducha cabezal ajuste correctamente, la superficie de la pared terminada debe quedar entre las marcas de máximo y mínimo del escudo de yeso.

### Instalación

Instale los reductores de ruido.



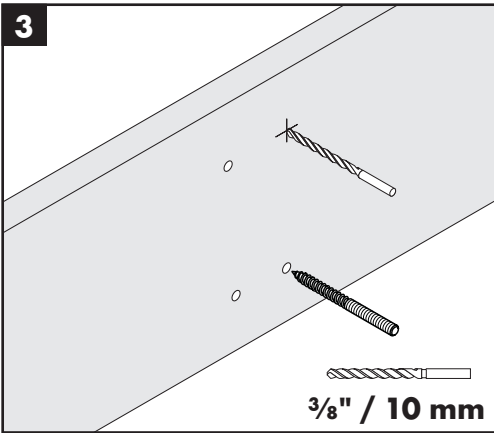
*Si piensa instalar este producto que utiliza placa de montaje 10973180, por favor véase en la página 20.*

Instale el panel de cabezal.

Coloque la pieza interior de válvula contra el panel de cabezal.

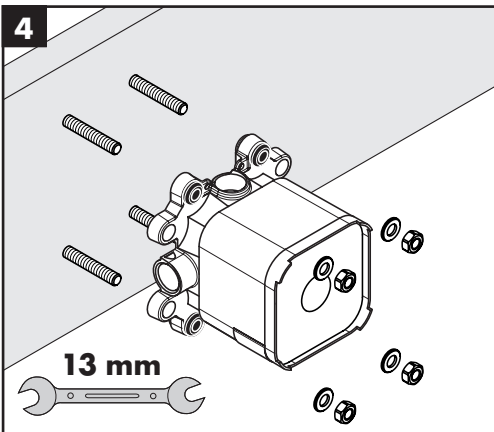
Asegúrese de que la pieza interior de válvula quede nivelado.

Marque las posiciones de los orificios para tornillos.

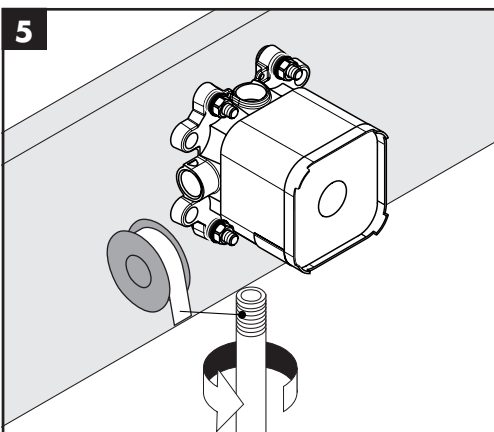


Drill the screw holes.

Install the screws.



Install the rough with the washers and nuts.



Wrap the threads on the pipe using plumbers' tape.

Install the pipe on the inlet.

## Français

Percez les trous de vissage.

Installez les vis.

Installez le pièce intérieure.

Enveloppez les filets du raccord avec du ruban de plomberie.

Installez le tuyau.

## Español

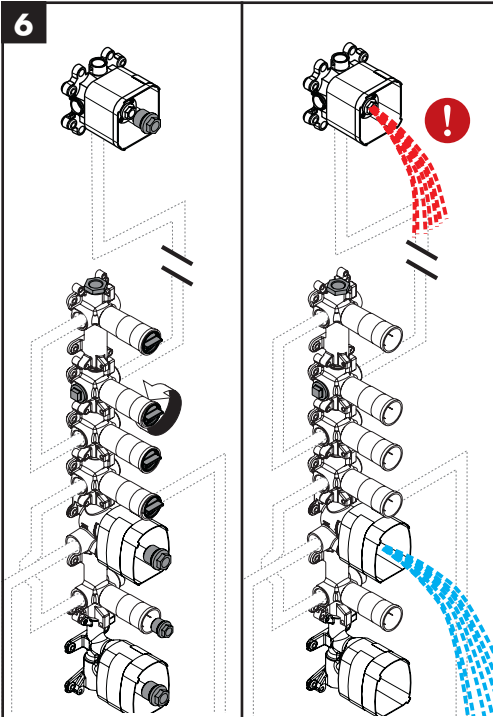
Perfore los orificios para tornillos.

Instale los tornillos.

Instale la válvula.

Envuelva las roscas del niple con la cinta de plomería.

Instale la tubería.



## Flush the hot and cold supplies

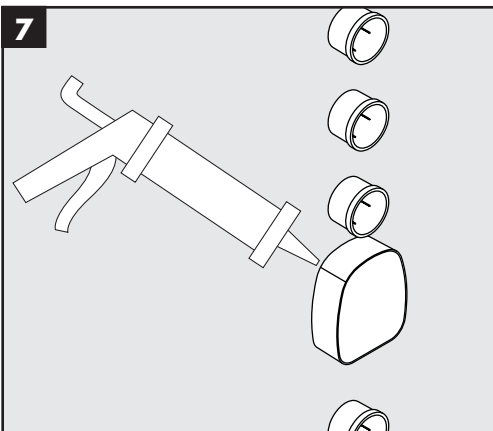
Remove the plug from the rough.

Turn the volume control on.

**! Caution: if installed as shown, the water coming from the rough may be hot!**

Allow the pipes to flush for at least 5 minutes.

Turn the volume control off.



## Install the wall surface

Install the sheet rock or green board.

Seal the wall between the sheet rock or green board and the rough using waterproof sealant.



## Rincez les tuyaux

Retirez le bouchon.

Ouvrez l'eau.

 **Prudence ! L'eau peut avoir chaud.**

Rincez les conduites d'alimentation en eau chaude et froide pendant au moins 5 minutes.

Fermez l'eau.

## Lavez las tuberías

Quite el tapón.

Abra el paso del agua.

 **¡Cuidado! El agua puede tener calor.**

Lave los suministros de agua caliente y agua fría durante al menos 5 minutos.

Cierre el paso de agua.

## Installez la mur fini

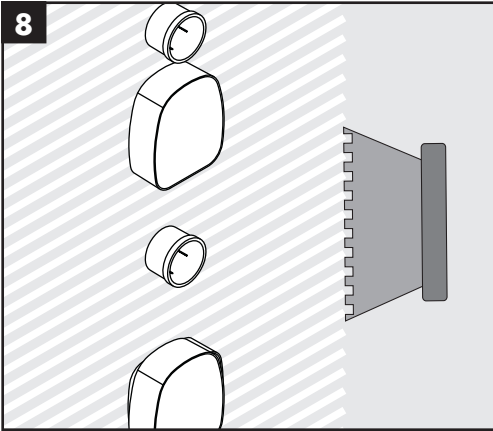
Installez le panneau de plâtre.

Scellez l'espace entre le panneau de plâtre et le boîtier d'installation en utilisant un agent d'étanchéité.

## Instale la pared

Instale la placa de yeso.

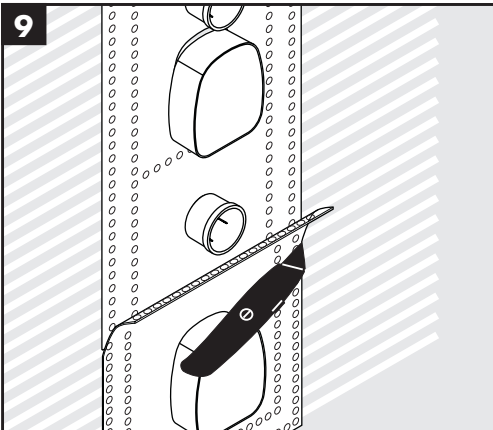
Selle el espacio entre la placa de yeso y la caja de instalación con un sellador impermeable.



Spread adhesive on the wall around the rough(s).

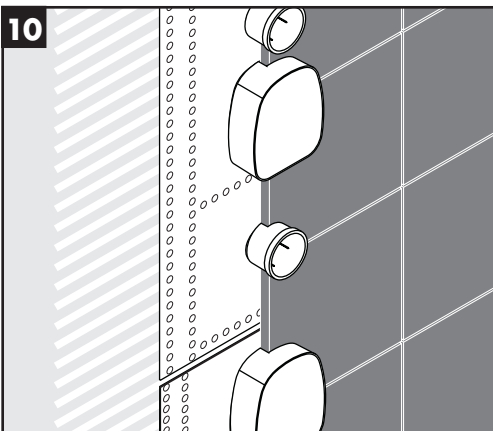


**Do not use hot glue.**



Install the gasket(s).

If one gasket overlaps another, trim it.



Install the tile or other finished wall surface over the gasket and against the rough installation box.

## Français

Appliquez un adhésif sur le mur et les boîtiers.

 **N'utilisez pas de colle chaude.**

Installez le collet d'étanchéité en l'appuyant fermement dans l'adhésif et le scellant.

Coupez le collet d'étanchéité, si c'est nécessaire.

Installez la surface de mur fini sur le collet d'étanchéité et contre le boîtier d'installation.

## Español

Aplique adhesivo a la pared y a la caja.

 **No use cola caliente.**

Instale el collar de sellado presionándolo firmemente en el adhesivo y el sellador.

Corte el collar de sellado si es necesario.

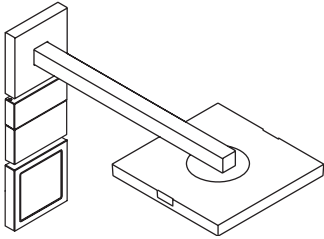
Instale la superficie de la pared terminada sobre el collar de sellado y contra la caja de instalación.

## Installation with Mounting Plate / Installation avec Plaque de Montage / Instalacion Con Placa de Montaje

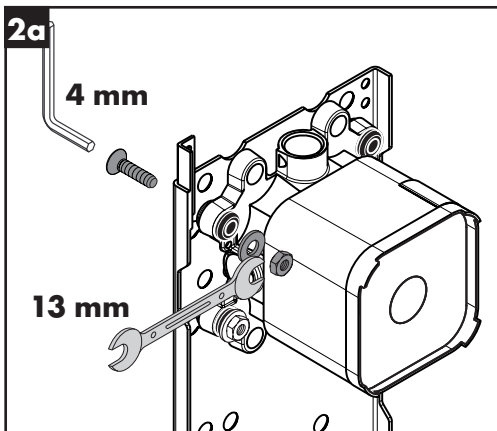
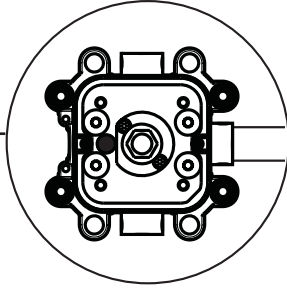
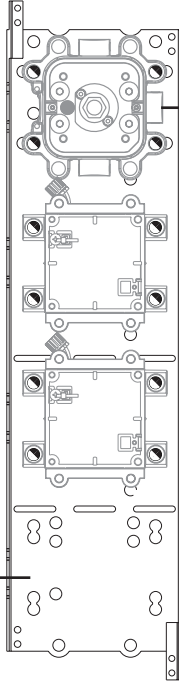
If this unit is installed in close proximity to other components of the Axor Starck Shower Collection, it may be installed with mounting plate 10973180.

Si vous voulez installer ce produit tout près des autres composants dans la Axor Starck Shower Collection, c'est possible de l'installez avec la plaque de montage 10973180.

Si quiere instalar este producto muy cerca de otros componentes a la Axor Starck Shower Collection, es posible de lo instalas con placa de montaje 10973180.



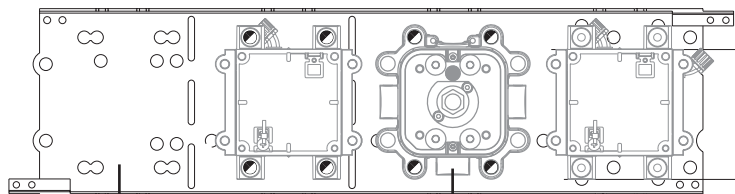
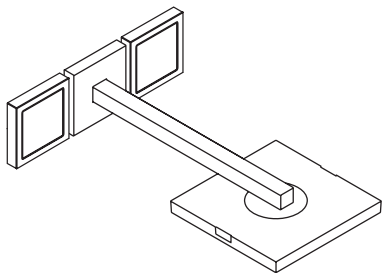
10973180



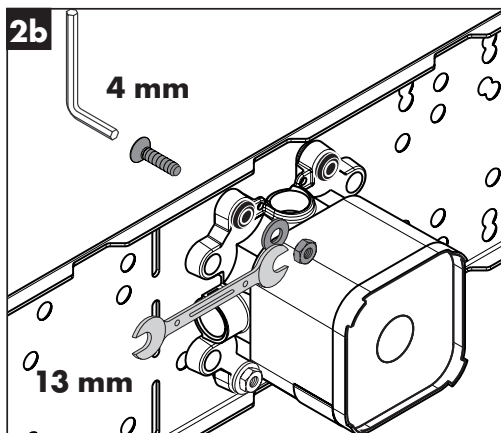
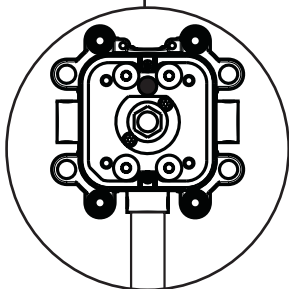
Turn to page 14 to continue the installation.

Voir la page 14 continuer l'installation.

Véase en la página 14 en continuar la instalación.



10973180



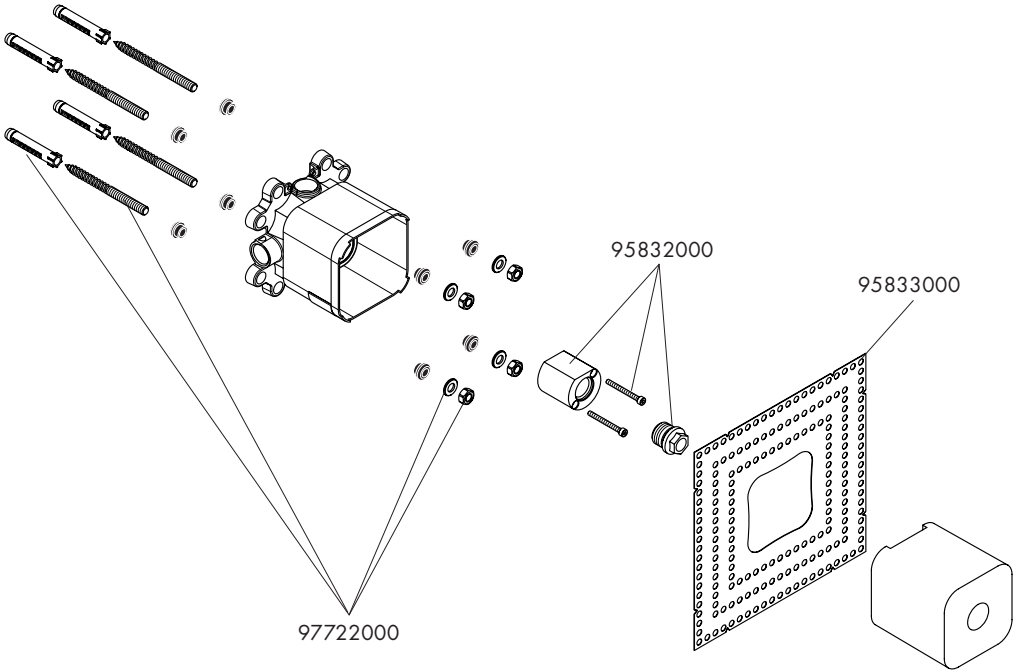
**5**

Turn to page 14 to continue the installation.

Voir la page 14 continuer l'installation.

Véase en la página 14 en continuar la instalación.

# Replacement Parts / Pièces détachées / Repuestos



# Limited Consumer Warranty

---

This product has been manufactured and tested to the highest quality standards by Hansgrohe, Inc. ("Hansgrohe"). This warranty is limited to Hansgrohe products that are purchased by a consumer in the United States or Canada after March 1, 1996, and installed in either in the United States or in Canada.

## WHO IS COVERED BY THE WARRANTY

This warranty extends to the original purchaser only. This warranty is non-transferable.

## WHAT IS COVERED BY THE WARRANTY

The warranty covers only your Hansgrohe manufactured product. Hansgrohe warrants this product against defects in material or workmanship as follows:

Hansgrohe will replace at no charge for parts only or, at its option, replace any product or part of the product that proves defective because of improper workmanship and/or material, under normal installation, use, service and maintenance. If Hansgrohe is unable to provide a replacement and repair is not practical or cannot be made in timely fashion, Hansgrohe may elect to refund the purchase price in exchange for the return of the product.

## LENGTH OF WARRANTY

Replacement or repaired parts of products will be covered for the term of this warranty, as stated in the following two sentences. If you are a consumer who purchased the product for use primarily for personal, family or household purposes, this warranty extends for as long as you own the product and the home in which the product is originally installed. If you purchased the product for use primarily for any other purpose, including, without limitation, a commercial purpose, this warranty extends only (i) for 1 year, with respect to Hansgrohe & Commercial products, and (ii) for 5 years, with respect to Axor products.

## THIS WARRANTY DOES NOT COVER, AND HANSGROHE WILL NOT PAY FOR:

- A. Conditions, malfunctions or damage not resulting from defects in material or workmanship.
- B. Conditions, malfunctions or damage resulting from (1) normal wear and tear, improper installation, improper maintenance, misuse, abuse, negligence, accident or alteration; (2) the use of abrasive or caustic cleaning agents or "no-rinse" cleaning products, or the use of the product in any manner contrary to the product instructions; or (3) conditions in the home such as excessive water pressure or corrosion.
- C. Labor and other expenses for disconnection, deinstallation, or return of the product for warranty service (including but not limited to proper packaging and shipping costs), or for installation or reinstallation of the product.
- D. Accessories, connected materials and products, or related products not manufactured by Hansgrohe.
- E. Any Hansgrohe or Axor product sold for display purposes.
- F. Rubbed Bronze finish is subject to a 3-year limited warranty. Chrome and all PVD finishes are covered by the limited lifetime warranty.
- G. Hansgrohe Water Filtration System is subject to a 1-year limited warranty. Warranty does not include replacement filters.

## TO OBTAIN WARRANTY PARTS OR INFORMATION

Contact your Hansgrohe retailer, or contact Technical Service at:

Hansgrohe, Inc.  
1492 Bluegrass Lakes Parkway  
Alpharetta, GA 30004  
Toll-free 800-334-0455

In requesting warranty service, you will need to provide:

1. The sales receipt or other evidence of the date and place of purchase.
2. A description of the problem.
3. Delivery of the product or the defective part, postage prepaid and carefully packed and insured, to:

Hansgrohe, Inc.  
1492 Bluegrass Lakes Parkway  
Alpharetta, GA 30004  
Toll-free 800-334-0455

When warranty service is completed, any repaired or replacement product or part will be returned to you postage prepaid.

## EXCLUSIONS AND LIMITATIONS

**REPAIR OR REPLACEMENT (OR, IN LIMITED CIRCUMSTANCES, REFUND OF THE PURCHASE PRICE) AS PROVIDED UNDER THIS WARRANTY IS THE EXCLUSIVE REMEDY OF THE PURCHASER. HANSGROHE NEITHER ASSUMES NOR AUTHORIZES ANY PERSON TO CREATE FOR IT ANY OTHER OBLIGATION OR LIABILITY IN CONNECTION WITH THIS PRODUCT. HANSGROHE SHALL NOT BE LIABLE TO PURCHASER OR ANY OTHER PERSON FOR ANY INCIDENTAL, SPECIAL OR CONSEQUENTIAL DAMAGES, ARISING OUT OF BREACH OF THIS WARRANTY OR ANY IMPLIED WARRANTY (INCLUDING BUT NOT LIMITED TO ANY IMPLIED WARRANTY OF MERCHANTABILITY).**

Some States do not allow the exclusion or limitation of incidental or consequential damages, so the above limitation or exclusion may not apply to you. This warranty gives you specific legal rights, and you may also have other rights that vary from state to state.

**TO THE EXTENT PERMITTED BY LAW, ANY IMPLIED WARRANTIES OF MERCHANTABILITY AND FITNESS FOR A PARTICULAR PURPOSE, ARE LIMITED TO THE DURATION OF THE EXPRESS WARRANTY.**

Some states do not allow limitations on how long an implied warranty may last, so the above limitations may not apply to you. You may be required by law to give us a reasonable opportunity to correct or cure any failure to comply before you can bring any action in court against us under the Magnuson-Moss Warranty Act.

## PRODUCT INSTRUCTIONS AND QUESTIONS

Upon purchase or prior to installation, please carefully inspect your Hansgrohe product for any damage or visible defect. Prior to installing, always carefully study the enclosed instructions on the proper installation and the care and maintenance of this product. If you have questions at any time about the use, installation or performance of your Hansgrohe product, or this warranty, please write us or call us toll-free at 800-334-0455.

**hansgrohe**

Hansgrohe, Inc. • 1490 Bluegrass Lakes Parkway • Alpharetta, GA 30004  
Tel. 800-334-0455 • Fax 770-360-9887

[www.hansgrohe-usa.com](http://www.hansgrohe-usa.com)